



Your Solutions Partner

# Specifications

F.O.B Sedalia, Missouri 65301



G-5-DLSS

### OPTIONS:

- 14 gauge tops
- Foodshields
- Trayslides
- Thermostat. Robertshaw
- Adaptor plates
- Veneered panels
- Powder coat paint colors
- 1/2" poly cutting surface added integral top

### AGENCY LISTINGS:



**DUKE MANUFACTURING CO.**  
**2305 N. Broadway**  
**St. Louis, MO 63102**

**800.735.3853 Toll Free**  
**314.231.5074 Fax**  
**www.dukemfg.com**

### Approval Stamp(s):

### PRODUCT INFORMATION:

PROJECT: \_\_\_\_\_

ITEM: \_\_\_\_\_

QUANTITY: \_\_\_\_\_

MODEL:

### Thurmaduke® Steamtables Hot Food Units - Gas - Deluxe

- G-2-DLPG/G-2-DLSS** 2 top openings
- G-3-DLPG/G-3-DLSS** 3 top openings
- G-4-DLPG/G-4-DLSS** 4 top openings
- G-5-DLPG/G-5-DLSS** 5 top openings
- G-6-DLPG/G-6-DLSS** 6 top openings

### TOP:

- One piece, 16 gauge, 300 Series stainless steel
- Top openings die - stamped. 12" x 20"
- Integral carving/work surface

### HEAT COMPARTMENTS:

- Individual burners
- Individual adjustable gas valves
- Individual galvanized steel radiation plates
- Safety pilots
- Gas pressure regulator for unit
- 2500 BTU/hour per burner
- 676 spillage pans - (1) per compartment
- 12" x 20" stainless steel liner, 8" deep

### BODY AND INTERIOR SHELF:

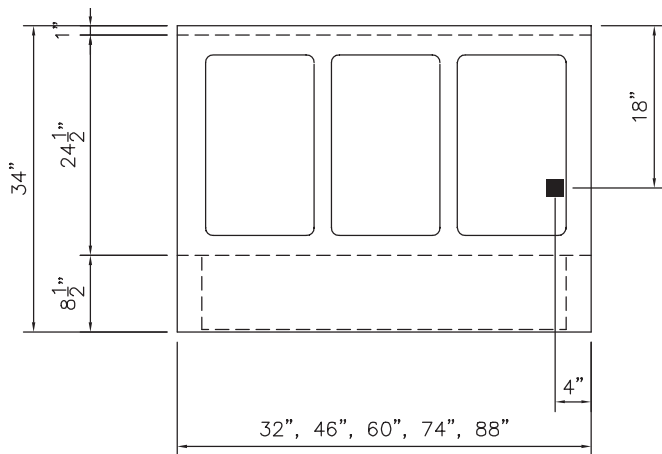
- 300 Series stainless steel or paint grip steel
- End panels die-stamped
- 6" polished stainless steel adjustable legs

### INTEGRAL DISHSHELF:

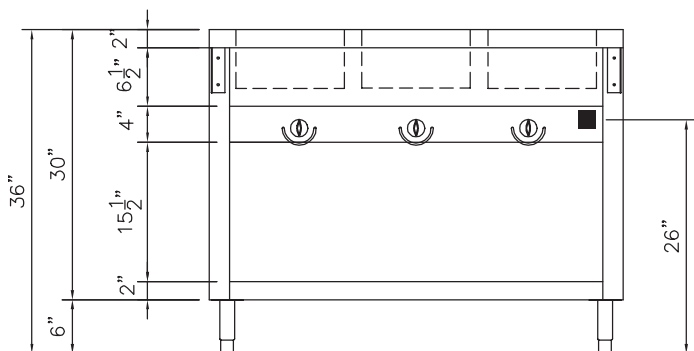
- Heavy gauge, one piece stainless steel - 8 1/2" wide
- Housing for control knobs, thermostats and master switch
- Wire knob guards

### SHORT FORM SPECIFICATIONS:

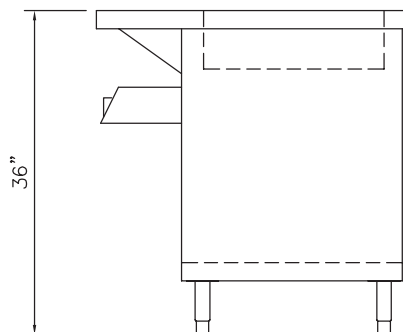
**Thurmaduke® Steamtables - Hot Food Units - Gas - Deluxe.** Top shall be 16ga, 300 series Stainless Steel flanged down edges, flush at ends, integral s/s cutting board, dish shelf, 20ga s/s body & under shelf, with 15-1/2" opening for storage, pan openings to be 12" x 20" x 8" deep, die-stamped, each opening with burner for natural or propane, rated at 2500 BTU, with gas valve, regulator, auto safety pilot, 6" Stainless adjustable legs. NOT AVAILABLE WITH CASTERS OR DOORS.



TOP VIEW



FRONT VIEW



RIGHT SIDE VIEW

**MODEL:**  
**Thurmaduke® Steamtables**  
**Hot Food Units - Gas - Deluxe**

- G-2-DLPG/G-2-DLSS** 2 top openings
- G-3-DLPG/G-3-DLSS** 3 top openings
- G-4-DLPG/G-4-DLSS** 4 top openings
- G-5-DLPG/G-4-DLSS** 5 top openings
- G-6-DLPG/G-5-DLSS** 6 top openings

POWER SUPPLY		
Model	# of Burners	Total BTU
G-2-DLPG/SS	2	7,000
G-3-DLPG/SS	3	7,500
G-4-DLPG/SS	4	14,000
G-5-DLPG/SS	5	17,500
G-6-DLPG/SS	6	21,000
■ - GAS CONNECTION - 1/2" I.P.S		

DIMENSIONS:

FREIGHT CLASS: 150

Model		Length		Width		Height		Top Openings	Cube ft. Crated	Weight	
Enameled	Stainless	in.	cm	in.	cm	in.	cm			lbs.	kg
<b>G-2-DLPG</b>	<b>G-2-DLSS</b>	32	81.3	34	86.4	36	91.4	2	27.0	255	115.9
<b>G-3-DLPG</b>	<b>G-3-DLSS</b>	46	116.8	34	86.4	36	91.4	3	38.1	335	152.3
<b>G-4-DLPG</b>	<b>G-4-DLSS</b>	60	152.4	34	86.4	36	91.4	4	49.2	410	186.4
<b>G-5-DLPG</b>	<b>G-5-DLSS</b>	74	188.0	34	86.4	36	91.4	5	60.2	495	225.0
<b>G-6-DLPG</b>	<b>G-6-DLSS</b>	88	223.5	34	86.4	36	91.4	6	71.3	595	270.5

NOTE: Specify natural gas or propane gas when ordering.  
 For high altitude orifice, specify elevation.  
 Sliding doors NOT available, casters not available

NO combustable materials should be stored on the bottom shelf of gas unit

**DUKE MANUFACTURING CO.**

2305 N. Broadway  
 St. Louis, MO 63102

800.735.3853 Toll Free  
 800.231.1130 In Missouri  
 314.231.5074 Fax  
[www.dukemfg.com](http://www.dukemfg.com)

