



Your Solutions Partner

# Specifications

F.O.B Sedalia, Missouri 65301



333

### OPTIONS:

- Hot food style top
- False bottom
- Drop type brackets for cutting board
- Stainless steel feet
- Insets/Inset Covers
- Dish Shelves
- Trayslides & Workshelves
- Foodshields

### AGENCY LISTINGS:



**DUKE MANUFACTURING CO.**  
**2305 N. Broadway**  
**St. Louis, MO 63102**

**800.735.3853 Toll Free**  
**314.231.5074 Fax**  
**www.dukemfg.com**

SS-DM-0005-AFS-06

### Approval Stamp(s):

### PRODUCT INFORMATION:

PROJECT: \_\_\_\_\_

ITEM: \_\_\_\_\_

QUANTITY: \_\_\_\_\_

MODEL:

### AeroHot™ Foodservice Cold Pan Units - Ice Cooled

- 332/P332** 30-3/8" length unit/ 25-7/8" length pan
- 333/P333** 44-3/8" length unit/ 39-7/8" length pan
- 334/P334** 58-3/8" length unit/ 53-7/8" length pan
- 325/P325** 72-3/8" length unit/ 67-7/8" length pan

### TOP:

- 20 gauge, 300 Series stainless steel
- Poly carving board - 7"W x 1/2" thick with 18 gauge stainless steel support shelf and die-stamped brackets

### LINER:

- 18 gauge, 300 Series stainless steel - 5" deep
- Insulated on all four sides and bottom with polyurethane
- 1" cast brass drain and plug

### BODY, UNDERSHELF AND LEGS:

- 20 gauge, 430 Series stainless steel body
- 20 gauge, 430 Series stainless steel undershelf
- 430 Series stainless steel tubular legs with adjustable plastic feet

### SHORT FORM SPECIFICATIONS:

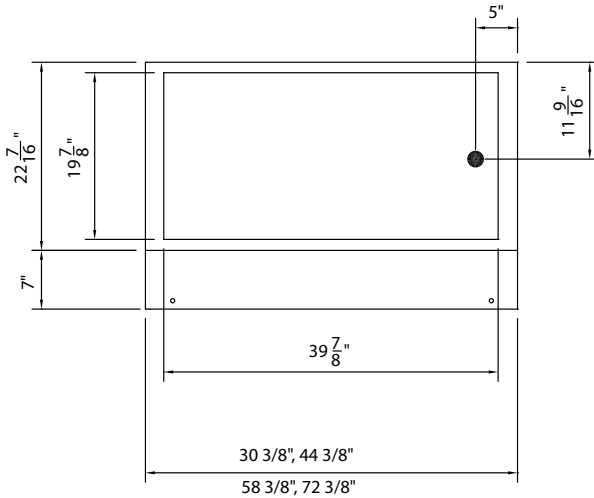
**AeroHot™ Foodservice Cold Pan Units - Ice Cooled.** Heavy gauge tops w/ 430 series s/s body, under shelf and legs of heavy gauge 430 series s/s, 5" deep fully insulated iced cold pan w/ drain, s/s top w/1/2" thick x 7"W poly carving board w/fixed brackets, s/s open base w/under shelf, s/s legs. Portable units to have 5" dia. NSF approved swivel casters, 2 w/ locks, 9" pusher bar.

*"EP" - prefix on model number denotes portable unit.*

# Aerohot

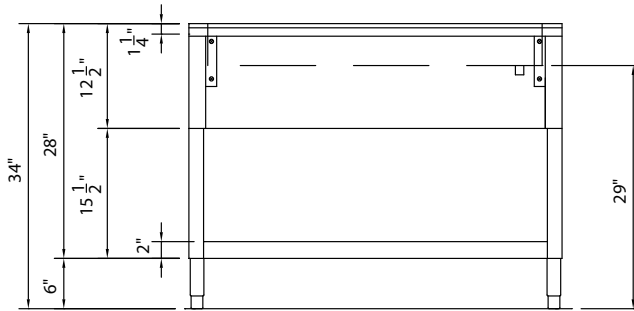
**MODEL:**  
**Aerohot™ Foodservice**  
**Cold Pan - Ice Cooled**

- **332/P332** 30-3/8" length unit/ 25-7/8" length pan
- **333/P333** 44-3/8" length unit/ 39-7/8" length pan
- **334/P334** 58-3/8" length unit/ 53-7/8" length pan
- **325/P325** 72-3/8" length unit/ 67-7/8" length pan

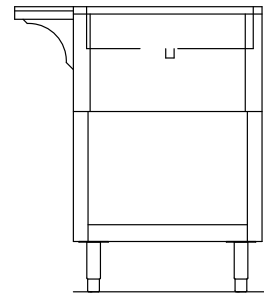


**TOP VIEW**

LEGEND	
●	- DRAIN LOCATION - 1" cast brass
"P" = prefix on model number denotes portable unit	



**FRONT VIEW**



**RIGHT SIDE VIEW**

**DIMENSIONS:**

Freight Class: 85

Model	Length		Width		Height		Cube ft. Crated	Weight	
	in.	cm	in.	cm	in.	cm		lbs.	kg
<b>332/P332</b>	30-3/8	77.2	22-7/16	57.1	34	86.4	23.4	74/80	33.6/36.4
<b>333/P333</b>	44-3/8	112.8	22-7/16	57.1	34	86.4	32.5	102/108	46.4/49.1
<b>334/P334</b>	58-3/8	148.3	22-7/16	57.1	34	86.4	41.5	121/130	55.0/59.1
<b>325/P325</b>	72-3/8	183.9	22-7/16	57.1	34	86.4	50.5	142/161	64.6/73.2

Power Supply: N/A



**DUKE MANUFACTURING CO.**

2305 N. Broadway  
 St. Louis, MO 63102

800.735.3853 Toll Free  
 800.231.1130 In Missouri  
 314.231.5074 Fax  
[www.dukemfg.com](http://www.dukemfg.com)

Specification subject to change