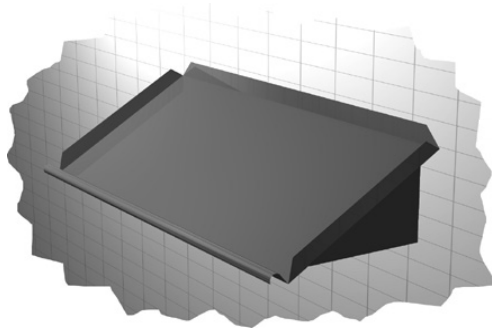




Your Solutions Partner

Specifications

F.O.B Sedalia, Missouri 65301



Wall Rack Shelf

MODIFICATIONS

- Special length

SPECIAL MODIFICATIONS

Special modification may be added. Consult Accessories and Modifications specification sheet.

AGENCY LISTING:



DUKE MANUFACTURING CO.

2305 N. Broadway
St. Louis, MO 63102

800.735.3853 Toll Free
314.231.1130 In Missouri
314.231.5074 Fax
www.dukemfg.com

SS-DM-00145-DT-15

Approval Stamp(s):

PRODUCT INFORMATION:

PROJECT: _____

ITEM: _____

QUANTITY: _____

MODEL:

Duke Dishtables Rack Shelves

Wall Mounted Rack Shelves

| | <u>Solid</u> | <u>Tubular</u> | <u>Length</u> |
|--------------------------|--------------|--------------------------|---------------------------|
| <input type="checkbox"/> | SD-1 | <input type="checkbox"/> | TD-1 21" length |
| <input type="checkbox"/> | SD-2 | <input type="checkbox"/> | TD-2 42" length |
| <input type="checkbox"/> | SD-3 | <input type="checkbox"/> | TD-3 63" length |
| <input type="checkbox"/> | SD-4 | <input type="checkbox"/> | TD-4 84" length |
| | | <input type="checkbox"/> | TD-5 Table Mounted |

Solid Shelf - SHELF:

- 16 gauge, 300 Series stainless steel
- 1-1/4" rolled rim - 2" high on rear and sides
- Open corners

WALL BRACKETS"

- 14 gauge stainless steel
- Sloped at 30° angle

Tubular Shelf - SHELF:

- 16 gauge stainless steel 1-5/8" OD tubing

WALL BRACKETS

- 14 gauge stainless steel

SHORT FORM SPECIFICATIONS:

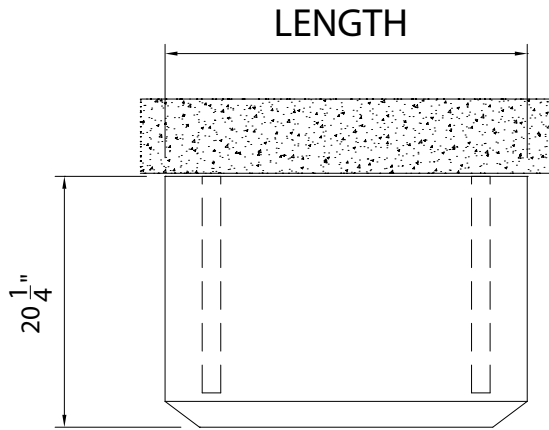
Duke Aerohot Dishtables - Wall Mounted Rack Shelf

Solid shelf to be constructed of 16 gauge, 300 Series stainless steel with 1-1/4" rolled rim on front and straight 2" high rim on rear and sides. Open corners on shelf. Brackets to be of 14 gauge stainless steel, sloped at a 30° angle.

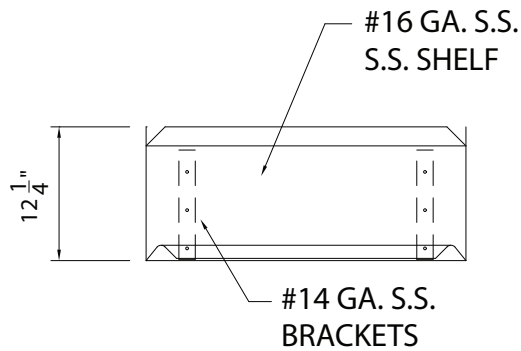
Tubular Shelf to be constructed of 16 gauge stainless steel formed into 1-5/8" OD tubing mounted on 14 gauge stainless steel brackets.

Aerohot®

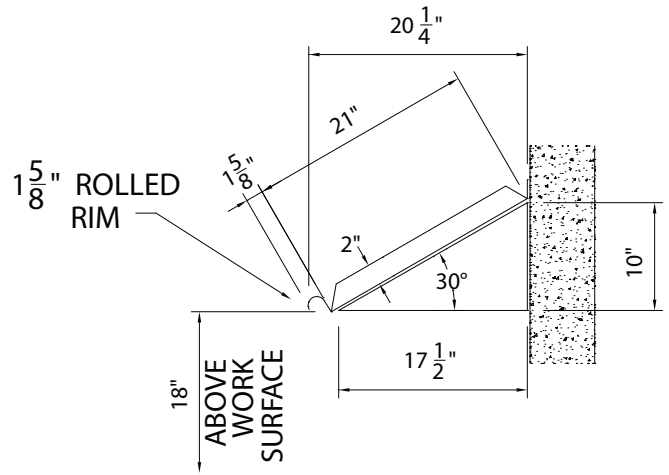
DUKE DISHTABLES Rack Shelves Wall Mounted Rack Shelves



TOP VIEW



FRONT VIEW



RIGHT SIDE

- | Solid | Tubular | Length |
|-------------------------------|-------------------------------|---------------|
| <input type="checkbox"/> SD-1 | <input type="checkbox"/> TD-1 | 21" length |
| <input type="checkbox"/> SD-2 | <input type="checkbox"/> TD-2 | 42" length |
| <input type="checkbox"/> SD-3 | <input type="checkbox"/> TD-3 | 63" length |
| <input type="checkbox"/> SD-4 | <input type="checkbox"/> TD-4 | 84" length |
| | <input type="checkbox"/> TD-5 | Table Mounted |

Wall Mounted Rack Shelves

SOLID DESIGN

| Model | Length | | Weight | | Cube ft. Crated |
|-------|--------|-------|--------|-------|-----------------|
| | in. | cm | in. | cm | |
| SD-1 | 21 | 53.3 | 20 | 50.8 | 1.0 |
| SD-2 | 42 | 106.7 | 30 | 76.2 | 2.0 |
| SD-3 | 63 | 160.0 | 40 | 101.6 | 4.0 |
| SD-4 | 84 | 213.4 | 50 | 127.0 | 5.0 |

TUBULAR DESIGN

| Model | Length | | Weight | | Cube ft. Crated |
|-------|---------------|-------|--------|------|-----------------|
| | in. | cm | in. | cm | |
| TD-1 | 21 | 53.3 | 15 | 6.8 | 1.0 |
| TD-2 | 42 | 106.7 | 23 | 10.5 | 2.0 |
| TD-3 | 63 | 160.0 | 30 | 13.6 | 4.0 |
| TD-4 | 84 | 213.4 | 38 | 17.3 | 5.0 |
| TD-5 | Table Mounted | | | | |



DUKE MANUFACTURING CO.

2305 N. Broadway
St. Louis, MO 63102

800.735.3853 Toll Free
800.231.1130 In Missouri
314.231.5074 Fax
www.dukemfg.com

Specification subject to change