

# Duke Specifications



"Your Solutions Partner"

F.O.B. St. Louis, Missouri 63102



SDSD-60R

#### MODIFICATIONS:

- 12" x 15" disp. control bracket w/V.B. holes in splash - **SK-6**
- Installation of disposer collar - collar by others - **SK-15**
- Flanged feet - **SK-19**
- Additional stainless steel welded leg assembly (H-frame) - units 120" and longer to have 2 - **SK-32**
- Scrap block installed - **SK-34**
- Stainless steel sink cover - **SK-35**
- Stainless steel perforated basket with molded slide rail - **SK-57**
- Stainless steel welded lengthwise crossrail - **SK-58**
- Stainless steel rack slide - **SK-59**
- 5" x 7" disp. switch w/V.B. holes in splash - **SK-60**

18 gauge stainless steel removable undershelf

- |   |   |
|---|---|
| <input type="checkbox"/> <b>DTUDSS-18</b> | <input type="checkbox"/> <b>DTUDSS-54</b> |
| <input type="checkbox"/> <b>DTUDSS-24</b> | <input type="checkbox"/> <b>DTUDSS-66</b> |
| <input type="checkbox"/> <b>DTUDSS-30</b> | <input type="checkbox"/> <b>DTUDSS-78</b> |
| <input type="checkbox"/> <b>DTUDSS-42</b> |   |

Special modifications may be added; consult the Accessories and Modifications specification sheet.

#### AGENCY LISTING:



**DUKE MANUFACTURING CO.**  
2305 N. Broadway  
St. Louis, MO 63102

800.735.3853 Toll Free  
314.231.1130 In Missouri  
314.231.5074 Fax  
www.dukemfg.com

#### PROJECT INFORMATION:

PROJECT: \_\_\_\_\_

ITEM: \_\_\_\_\_

QUANTITY: \_\_\_\_\_

MODEL: \_\_\_\_\_

Duke Dishtables  
Dishlanding-Soil

<u>Supreme / 14 ga.</u>	<u>Deluxe / 16 ga.</u>	<u>Length</u>
<input type="checkbox"/> <b>SDSD-48 L or R</b>	<input type="checkbox"/> <b>DDSD-48 L or R</b>	48" length unit
<input type="checkbox"/> <b>SDSD-60 L or R</b>	<input type="checkbox"/> <b>DDSD-60 L or R</b>	60" length unit
<input type="checkbox"/> <b>SDSD-72 L or R</b>	<input type="checkbox"/> <b>DDSD-72 L or R</b>	72" length unit
<input type="checkbox"/> <b>SDSD-96 L or R</b>	<input type="checkbox"/> <b>DDSD-96 L or R</b>	96" length unit
<input type="checkbox"/> <b>SDSD-120 L or R</b>	<input type="checkbox"/> <b>DDSD-120 L or R</b>	120" length unit

L - Left side of dishwasher / R - Right side of dishwasher

#### Supreme-Dishlanding-Soil-Dishtable

##### TOP:

- 14 gauge, 300 Series stainless steel
- 1-1/4" rolled rim - 2-1/2" high on front and side
- 10" rear splash - turned up 8", returned to wall
- 2" high on 45° angle with 1" turn down

##### BOWL:

- 14 gauge, 300 Series stainless steel
- 20-1/2" x 20-1/2" x 5" deep

##### UNDERBRACING:

- 12 gauge angle on 24" centers

##### LEGS:

- 16 gauge stainless steel - 1-5/8" OD tubing
- Stainless steel gusset
- 1" adjustable stainless steel bullet feet

##### CROSSRAILS:

- 16 gauge stainless steel - 1-1/4" OD tubing
- Welded to legs

#### Deluxe-Dishlanding-Soil-Dishtable

##### TOP:

- 16 gauge, 300 Series stainless steel
- 1-1/4" rolled rim - 2-1/2" high on front and side
- 10" rear splash - turned up 8", returned to wall
- 2" high on 45° angle with 1" turn down

##### BOWL:

- 16 gauge, 300 Series stainless steel
- 20-1/2" x 20-1/2" x 5" deep

##### UNDERBRACING:

- 12 gauge angle on 24" centers

##### LEGS:

- 16 gauge stainless steel - 1-5/8" OD tubing
- Stainless steel gusset
- 1" adjustable stainless steel bullet feet

##### CROSSRAILS:

- 16 gauge stainless steel - 1-1/4" OD tubing
- Welded to legs

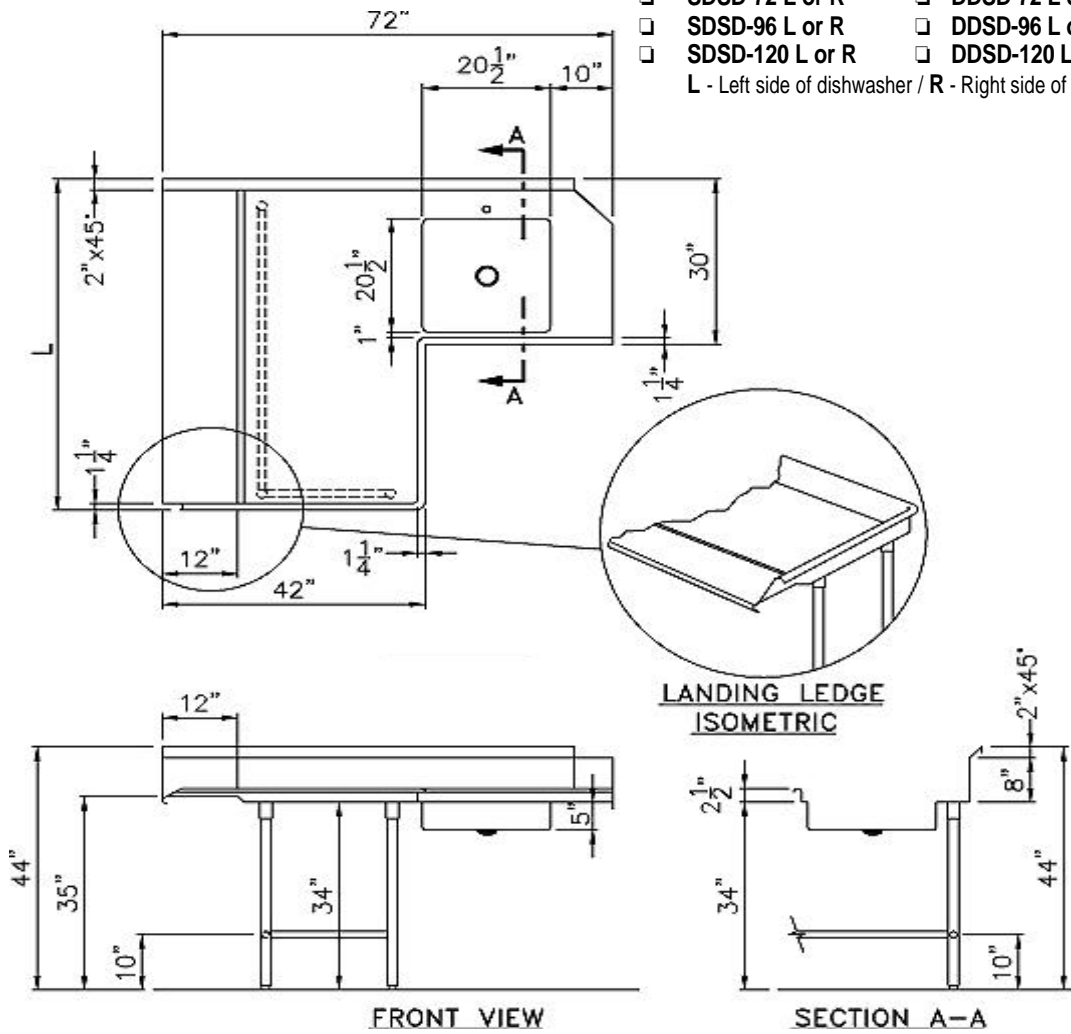
#### DISHLANDING: - FOR SUPREME & DELUXE

- 12" wide ledge - 1-1/4" rolled edge front
- 1" turndown on 45°

# Aerohot®

**DUKE DISHTABLES  
DISHLANDING-SOIL**

- |                          |                        |  |                  |
|--------------------------|------------------------|--|------------------|
|                          | <b>Supreme /14 ga.</b> | <b>Deluxe /16 ga.</b>                    | <b>Length</b>    |
| <input type="checkbox"/> | SDSD-48 L or R         | <input type="checkbox"/> DDSD-48 L or R  | 48" length unit  |
| <input type="checkbox"/> | SDSD-60 L or R         | <input type="checkbox"/> DDSD-60 L or R  | 60" length unit  |
| <input type="checkbox"/> | SDSD-72 L or R         | <input type="checkbox"/> DDSD-72 L or R  | 72" length unit  |
| <input type="checkbox"/> | SDSD-96 L or R         | <input type="checkbox"/> DDSD-96 L or R  | 96" length unit  |
| <input type="checkbox"/> | SDSD-120 L or R        | <input type="checkbox"/> DDSD-120 L or R | 120" length unit |
- L - Left side of dishwasher / R - Right side of dishwasher



**DIMENSIONS:**

Freight Class: 85

Model	"L" Sizes		Width (front to back)		Height		Cube ft. crated	Weight	
	in.	cm	in.	cm	in.	cm		lbs.	kg
SDSD-48 L or R DDSD-48 L or R	48 x 42	121.9 x 106.7	42	106.7	34	86.4	99.8	180	81.8
SDSD-60 L or R DDSD-60 L or R	60 x 42	152.4 x 106.7	42	106.7	34	86.4	121.9	205	93.2
SDSD-72 L or R DDSD-72 L or R	72 x 42	182.9 x 106.7	42	106.7	34	86.4	144.1	230	104.6
SDSD-96 L or R DDSD-96 L or R	96 x 42	243.8 x 106.7	42	106.7	34	86.4	188.4	255	115.9
SDSD-120 L or R DDSD-120 L or R	120 x 42	304.8 x 106.7	42	106.7	34	86.4	232.8	305	138.6



"Your Solutions Partner"

**DUKE MANUFACTURING CO.**  
2305 N. Broadway  
St. Louis, MO 63102

800.735.3853 Toll Free  
314.231.1130 In Missouri  
314.231.5074 Fax  
[www.dukemfg.com](http://www.dukemfg.com)

Specifications subject to change

KaTom Restaurant Supply, Inc.