



"Your Solutions Partner"

# Specifications

F.O.B Sedalia, Missouri 65301



TCM-46

### OPTIONS:

- 14 gauge tops
- Internal Locking device
- 220v - 50Hz compressor
- Condensate evaporator
- 50 cycle compressor
- 8" deep pan liner
- False Bottom
- Serving Shelves - 956-460-x, T5454-x, T5449-x
- Designer Food Shields - TS530-xx/TS530-xx-1SN  
TS540-xx/TS550-xx/TS560-xx/TS570-xx/ TS580-xx/  
TS580-xx-1SN
- Sliding doors - TS329 (3-section & larger -  
requires partition)
- Hinged doors
- Tray Slides - TS3BTS-HD/FX, TSSOLID-HD/FX
- Rubber corner bumpers - TMOD-8
- Pusher Bar - TMOD-7
- Stainless steel legs - TMOD-15
- Electric outlet - TE-OP-1, TE-OP-2, TE-OP-3, TE-OP4
- J-hook to hold cord and plug
- 8'-10' cord and plug
- Food pans/adaptor bars and panels - see Top Equipment  
Section in Price List.
- Veneered plastic laminate panels on body - TSS-xP
- Powder coat paint colors
- Drain and condensing unit on operator's left
- Wood, stainless steel or poly cutting boards
- Stainless steel kickplates - TMOD-2

### AGENCY LISTING:



DUKE MANUFACTURING CO.

2305 N. Broadway  
St. Louis, MO 63102

800.735.3853 Toll Free  
314.231.1130 In Missouri  
314.231.5074 Fax  
www.dukemfg.com

## Approval Stamp(s):

### PRODUCT INFORMATION:

PROJECT: \_\_\_\_\_  
ITEM: \_\_\_\_\_  
QUANTITY: \_\_\_\_\_

### MODEL:

## Thurmaduke Serving Systems - Cold Pan Mechanically Assisted Ice - 5" Deep

- TCM-32 32" length units
- TCM-46 46" length units
- TCM-60 60" length units
- TCM-74 74" length units
- TCM-88 88" length units

### TOP:

- 16 gauge, 300 Series stainless steel
- Edges flanged down 2" at 90° - all four sides
- Inside edges flanged down 90° against liner

### COLD PAN LINER:

- 300 Series stainless steel - 5" deep
- Insulated on all four sides and bottom
- 1" drain pipe and shut-off valve on operator's right

### REFRIGERATION:

- 120 VOLT - 1 Phase - R134A refrigerant
- Condensing unit below top on operator's right
- Stainless steel louvered grille for air circulation
- Copper coils attached to bottom of 5" liner
- 6' electric cord and plug - NEMA 5-15
- Necessary controls for operation

### BODY:

- Choice of (12) powder coat paint colors (must choose one):
    - #217105 - Designer White
    - #217150 - Orange Red
    - #217107 - Hollyberry Red
    - #217127 - Fence Green
    - #217102 - Duke Silver
    - #217101 - Semi-Gloss Black
  - #217103 - Natural Almond
  - #217154 - Racing Red
  - #217120 - Sky Blue
  - #217152 - Stone Gray
  - #217113 - Brown Kickplate
  - #217125 - Textured Black
- Stainless steel body
  - Operator's side open to bottom shelf
  - Customer side and ends fully enclosed
  - Bottom shelf paint grip or stainless steel to match body

### SHORT FORM SPECIFICATIONS:

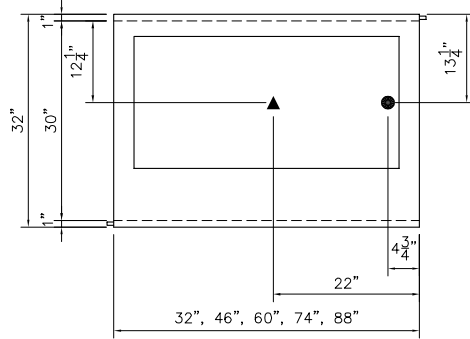
**Thurmaduke Serving Systems - Cold Pan Units - Mechanically Assisted Ice - 5" Deep.**  
 Top shall be constructed of 16 gauge, 300 Series stainless steel with edges flanged down 2" at 90° on all four sides and flush with body on ends. Inside edges flanged down at 90° against liner. Body shall be free standing and formed of heavy gauge steel with specified powder coat paint color or 300 Series stainless steel. Operators side shall be open to bottom shelf with corners of end panels die-formed into channels. Side opposite operator and ends fully enclosed. Bottom shelf shall have edges to be flanged down on all four side providing 21" clearance for storage. Condensing unit suspended below top on operator's right with stainless steel louvered grille to provide proper air circulation. Unit refrigerated by copper coils which shall be attached to bottom only of 5" deep liner. Unit provided with electric cord and plug and necessary controls for operation. Cold pan liner shall be constructed of 300 Series stainless steel with 1" drain. Liner to be equipped with drain pipe and shut off valve. Liner to be 19-7/8" wide and insulated on all four sides and bottom. Unit shall be mounted on NSF approved 5" polyurethane casters, all swivel, two with locks. Must add "PG" to model number for Paint Grip Bodies, "SS" for Stainless Steel bodies.

TSS-08

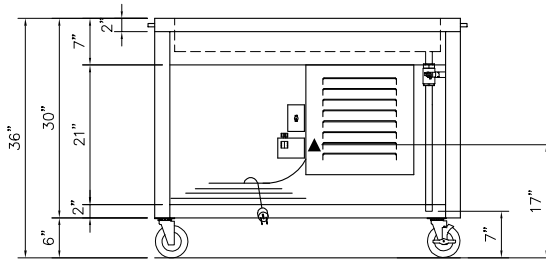


**THURMADUKE SERVING SYSTEMS**  
**Cold Pan Units - Mechanically Assisted Ice - 5" Deep**

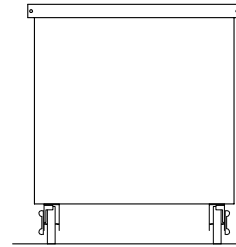
- TCM-32 32" length units
- TCM-46 46" length units
- TCM-60 60" length units
- TCM-74 74" length units
- TCM-88 88" length units



TOP VIEW



FRONT VIEW



RIGHT SIDE VIEW

**DIMENSIONS:** All Units: Height - 36" (91.4 cm), Width - 32" (81.3 cm)

**FREIGHT CLASS:** 150

Model	Body Length		Cold Pan Liner Dimensions						Cube ft. crated	Weight	
			Length		Width		Depth			lbs	kg
	in.	cm	in.	cm.	in.	cm	in.	cm			
TCM-32	32	81.3	26	66.0	19-7/8	50.6	5	12.7	34.8	255	115.9
TCM-46	46	116.8	40	101.6	19-7/8	50.6	5	12.7	47.7	354	160.9
TCM-60	60	152.4	54	137.2	19-7/8	50.6	5	12.7	60.5	425	193.2
TCM-74	74	188.0	68	172.7	19-7/8	50.6	5	12.7	73.3	518	235.5
TCM-88	88	223.5	82	208.3	19-7/8	50.6	5	12.7	86.2	580	263.4

**ELECTRICAL SPECIFICATIONS:** (Consult factory 3-phase electrical requirements and other options:)

Model	120 Volt/NEMA 5-15	
	Amps	HP
TCM-32	2.7	1/5
TCM-46	2.7	1/5
TCM-60	6.0	1/4
TCM-74	6.0	1/4
TCM-88	6.0	1/4

**DUKE MANUFACTURING CO.**  
 2305 N. Broadway  
 St. Louis, MO 63102

800.735.3853 Toll Free  
 314.231.1130 In Missouri  
 314.231.5074 Fax  
[www.dukemfg.com](http://www.dukemfg.com)



"Your Solutions Partner"

Specifications subject to change

06/08  
 Printed in U.S.A  
 © 2008, Duke Manufacturing Co.