



"Your Solutions Partner"

Specifications

F.O.B Sedalia, Missouri 65301



TCS-30SS
Shown with optional drawer

OPTIONS:

- 14 gauge tops
- Internal locking devices
- Tray Slides - TS3BTS-HD/FX, TSSOLID-HD/FX
- Electric outlets - TE-OP1, TE-OP2, TE-OP3, TE-OP4
- 6', 8' or 10' cord and plug
- Pusher Bar - TMOD-7
- Bumpers - TMOD-8
- Stainless steel legs - TMOD-15
- Stainless steel drawer with or without lock & keys
- Veneered plastic laminate panels on body - TSS-SP
- Powder coat paint colors
- Grommeted top cutout
- Interior shelf
- Stainless steel kickplates - TMOD-2

Agency Listing:



DUKE MANUFACTURING CO.
2305 N. Broadway
St. Louis, MO 63102

800.735.3853 Toll Free
314.231.1130 In Missouri
314.231.5074 Fax
www.dukemfg.com

Approval Stamp(s):

PRODUCT INFORMATION:

PROJECT: _____
ITEM: _____
QUANTITY: _____

MODEL:

Thurmaduke Serving Systems - Cashier Stand

TCS-30

TOP:

- 16 gauge, 300 Series stainless steel
- Sound-deadening vinyl foam tape between top and body

BODY:

- Choice of (12) powder coat paint colors (must choose one):

<input type="checkbox"/> #217105 - Designer White	<input type="checkbox"/> #217103 - Natural Almond
<input type="checkbox"/> #217150 - Orange Red	<input type="checkbox"/> #217154 - Racing Red
<input type="checkbox"/> #217107 - Hollyberry Red	<input type="checkbox"/> #217120 - Sky Blue
<input type="checkbox"/> #217127 - Fence Green	<input type="checkbox"/> #217152 - Stone Gray
<input type="checkbox"/> #217102 - Duke Silver	<input type="checkbox"/> #217113 - Brown Kickplate
<input type="checkbox"/> #217101 - Semi-Gloss Black	<input type="checkbox"/> #217125 - Textured Black
- Stainless steel body
 - NSF listed, 5" diameter polyurethane casters
 - Operator's side open to foot rest
 - End panels die-formed into channels
 - End and side opposite operator fully enclosed
 - Stainless steel tubular foot rest

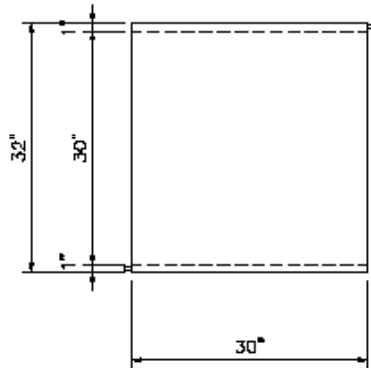
SHORT FORM SPECIFICATIONS:

Thurmaduke Serving Systems - Cashier Unit. Top shall be constructed of 16 gauge, 300 Series stainless steel with edges flanged down 2" at 90° on all four sides and flush with body on ends. Vinyl foam tape to be used between top and body for sound-deadening. Body shall be free standing and formed of heavy gauge powder coat painted steel with specified color or 300 Series stainless steel. Operator's side of unit to be open to foot rest with corners of end panels die-formed into channels. Side opposite operator and ends fully enclosed. Opening shall allow knee room and is provided with stainless steel tubular foot rest. Unit to be mounted on NSF approved 5" polyurethane casters, all swivel, two with locks. Must add "PG" to model number for Paint Grip Bodies, "SS" for Stainless Steel Bodies.

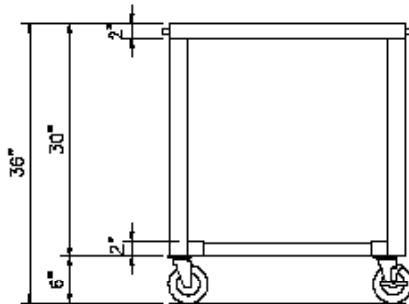


**THURMADUKE SERVING SYSTEMS
CASHIER STAND**

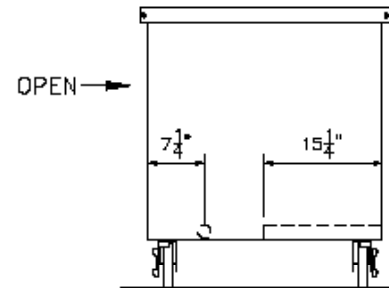
□ TCS-30



TOP VIEW



FRONT VIEW



RIGHT SIDE VIEW

+

DIMENSIONS:

FREIGHT CLASS: 150

Model	Length		Width		Height		Cube ft. crated	Weight		Optional Drawer Size					
	in.	cm	in.	cm	in.	cm		lbs.	kg	Length		Width		Depth	
										in.	cm	in.	cm	in.	cm
TCS-30	30	76.2	32	81.3	36	91.4	33.0	242	110.0	24-3/8	62.0	20	50.8	3-1/2	8.9

INSTALLATION DATA:

Must specify location of drawer

POWER SUPPLY:

N/A



"Your Solutions Partner"

DUKE MANUFACTURING CO.
2305 N. Broadway
St. Louis, MO 63102

800.735.3853 Toll Free
314.231.1130 In Missouri
314.231.5074 Fax
www.dukemfg.com

Specification subject to change

06/08
Printed in U.S.A
© 2008, Duke Manufacturing Co.