



"Your Solutions Partner"

Specifications

F.O.B Sedalia, Missouri 65301



TCS-32E

OPTIONS:

- 14 gauge tops
- Internal Locking device
- Tray Slides - **TS3BTS-HD/FX, TSSOLID-HD/FX**
- Display shelves - **TS580-xx, TS580-1SN-xx**
- Serving Shelves
- Designer Food Shields
- Top Cutouts - **TCUT-OP1, TCUT-OP2, TCUT-OP3**
- Special base opening for under counter units
- Pass-Thru construction
- Special length not listed - **TDST-x-1**
- Recessed top (to accommodate griddles, fryers, etc.)
TDST-x-2
- Electric outlet - **TE-OP1, TE-OP2, TE-OP3, TE-OP4**
- 6' cord and plug
- Pusher Bar - **TMOD-7**
- Sliding doors - **TS329**
- Hinged doors
- Bumpers - **TMOD-8**
- Stainless steel legs - **TMOD-15**
- Veneered plastic laminate panels on body - **TSS-xP**
- Powder coat paint colors
- Wood, stainless steel or poly cutting boards
- Stainless steel kickplates

AGENCY LISTING:



DUKE MANUFACTURING CO.

2305 N. Broadway
St. Louis, MO 63102

800.735.3853 Toll Free
314.231.1130 In Missouri
314.231.5074 Fax
www.dukemfg.com

Approval Stamp(s):

PRODUCT INFORMATION:

PROJECT: _____

ITEM: _____

QUANTITY: _____

MODEL:

Thurmaduke Serving Systems - Solid Top Units

- **TCS-32E** 32" length units

TOP:

- 16 gauge, 300 Series stainless steel
- Stainless steel perforated platform with "V" edges
- Au jus pan, hardwood carving board, meat spike

BODY:

- Choice of (12) powder coat paint colors (must choose one):

<input type="checkbox"/> #217105 - Designer White	<input type="checkbox"/> #217103 - Natural Almond
<input type="checkbox"/> #217150 - Orange Red	<input type="checkbox"/> #217154 - Racing Red
<input type="checkbox"/> #217107 - Hollyberry Red	<input type="checkbox"/> #217120 - Sky Blue
<input type="checkbox"/> #217127 - Fence Green	<input type="checkbox"/> #217152 - Stone Gray
<input type="checkbox"/> #217102 - Duke Silver	<input type="checkbox"/> #217113 - Brown Kickplate
<input type="checkbox"/> #217101 - Semi-Gloss Black	<input type="checkbox"/> #217125 - Textured Black
- Stainless steel body
- NSF approved 5" diameter polyurethane casters

HEAT COMPARTMENTS:

- Located under platform - sealed wells with brass drains
- Die-stamped food pan openings (2) - 12" x 20"
- Raised beaded edges
- Heating element beneath wells - 120, 208 or 240 volt
- Robertshaw® thermostat, with indicator lights
- Master toggle switch with indicator light
- Controls mounted below top in dish shelf
- Cord and plug - 6 ft.
- Drains copper manifolded to master valve

SHORT FORM SPECIFICATIONS:

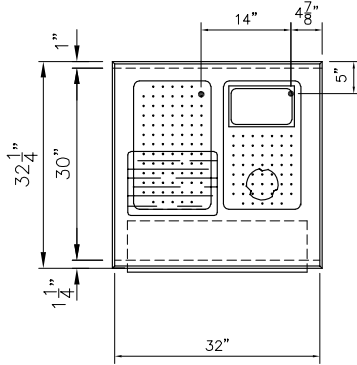
Thurmaduke Serving Systems - Carving Station Unit. Top shall be constructed of 16 gauge, 300 Series stainless steel with edges flanged down 2" at 90° on all four sides and flush with body on ends. Operator's side to extend 1" beyond body. Special stainless steel perforated platform, constructed with "V" edges and flanged down 2-1/2" on all four sides, shall be placed on top of unit and be easily removable. Platform to be provided with removable au jus pan, hardwood carving board measuring 10" x 14" x 1-1/8" thick, and meat spike. Body shall be free standing and formed of heavy gauge powder coat paint or 300 Series stainless steel. Operators side of unit open to bottom shelf with corners of end panels die-formed into channels. Side opposite operator and ends fully enclosed. Bottom shelf shall have edges flanged down on all four side providing 15-1/2" clearance for storage. Unit shall be constructed with two food pan openings, which are die-stamped, with raised beaded edges, and measure 12" x 20". Each seamless fully coved, stainless steel well is 6-1/4" deep, and brass drain. Drains copper manifolded to master valve. Each well provided with heating element fitted beneath well and operate on 120, 208 or 240 volts, as specified, with single phase wiring standard. Each element to be controlled by Robertshaw thermostat. Complete unit shall be wired to master toggle switch with indicator light. Controls mounted below top on dish shelf on operator's side. Electric cord and plug provided. Body shall be mounted on NSF approved 5" polyurethane casters, all swivel, two with locks. Must add "PG" to model number for Paint Grip Bodies, "SS" for Stainless Steel bodies.



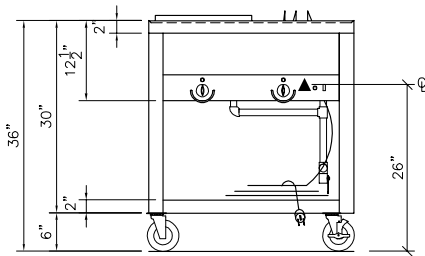
THURMADUKE SERVING SYSTEMS

Carving Station

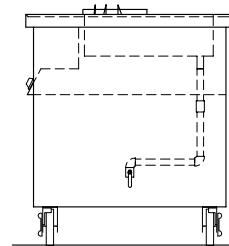
- TCS-32E** 36"H w/stainless steel perforated platform



TOP VIEW



FRONT VIEW



RIGHT SIDE VIEW

DIMENSIONS:

FREIGHT CLASS: 150

Model	Length		Width		Height		Cube ft. crated	Weight	
	in.	cm	in.	cm	in.	cm		lbs.	kg
TCS-32E	30	76.2	32-1/4	81.9	36	91.4	27.0	250	13.6

ELECTRICAL SPECIFICATIONS: (Consult factory for 3-phases electrical requirements and other options.)

Model	120 Volt - 750 watt elements			208 Volt - 900 watt elements			240 Volt - 1200 watt elements		
	watts	amps	NEMA	watts	amps	NEMA	watts	amps	NEMA
TCS-32E	1500	12.5	5-15	1800	8.7	6-20	2400	10.0	6-20

DUKE MANUFACTURING CO.
 2305 N. Broadway
 St. Louis, MO 63102

800.735.3853 Toll Free
 314.231.1130 In Missouri
 314.231.5074 Fax
www.dukemfg.com



"Your Solutions Partner"

Specifications subject to change

06/08
 Printed in U.S.A.
 © 2008, Duke Manufacturing Co.