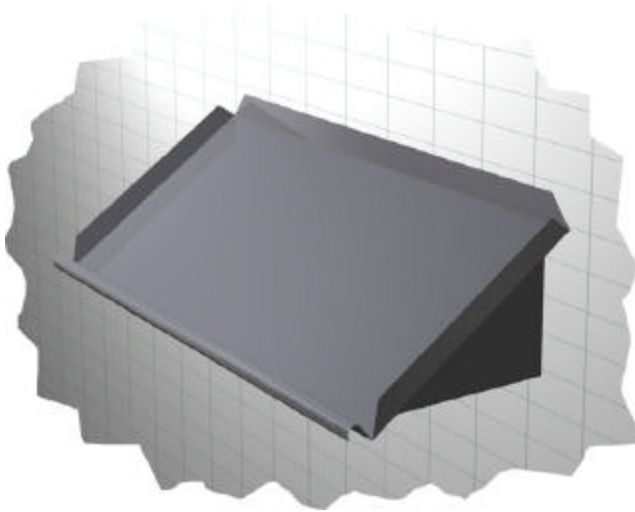


Duke Specifications



"Your Solutions Partner"

F.O.B. St. Louis, Missouri 63102



Wall Rack Shelf

MODIFICATIONS:

- Drainhole (for both units) - **DH-1**
- Flanged feet (for tables with casters - **SK-19**)
- Stainless steel welded lengthwise crossrail (both units) - **SK-58**
- Casters (for tables with legs) - **STC-1**

Special modifications may be added; consult the Accessories and Modifications specification sheet.

AGENCY LISTING:



DUKE MANUFACTURING CO.
2305 N. Broadway
St. Louis, MO 63102

800.735.3853 Toll Free
314.231.1130 In Missouri
314.231.5074 Fax
www.dukemfg.com

PROJECT INFORMATION:

PROJECT: _____
 ITEM: _____
 QUANTITY: _____

MODEL:

Duke Dishtables
 Rack Shelves

Wall Mounted Rack Shelves

	<u>Solid</u>	<u>Tubular</u>	<u>Length</u>
<input type="checkbox"/>	SD-1	<input type="checkbox"/> TD-1	21" length
<input type="checkbox"/>	SD-2	<input type="checkbox"/> TD-2	42" length
<input type="checkbox"/>	SD-3	<input type="checkbox"/> TD-3	63" length
<input type="checkbox"/>	SD-4	<input type="checkbox"/> TD-4	84" length
		<input type="checkbox"/> TD-5	Table Mounted

Solid Shelf -

SHELF:

- 16 gauge, 300 Series stainless steel
- 1-1/4" rolled rim - 2" high on rear and sides
- Open corners

WALL BRACKETS:

- 14 gauge stainless steel
- Sloped at 30° angle

Tubular Shelf -

SHELF:

- 16 gauge stainless steel 1-5/8" OD tubing

WALL BRACKETS:

- 14 gauge stainless steel

SHORT FORM SPECIFICATIONS:

Duke Aerohot Dishables - Wall Mounted Rack Shelf.

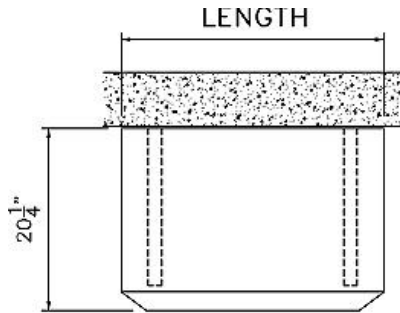
Solid Shelf to be constructed of 16 gauge, 300 Series stainless steel with 1-1/4" rolled rim on front and straight 2" high rim on rear and sides. Open corners on shelf. Brackets to be of 14 gauge stainless steel, sloped at a 30° angle.

Tubular Shelf to be constructed of 16 gauge stainless steel formed into 1-5/8" OD tubing mounted on 14 gauge stainless steel brackets.

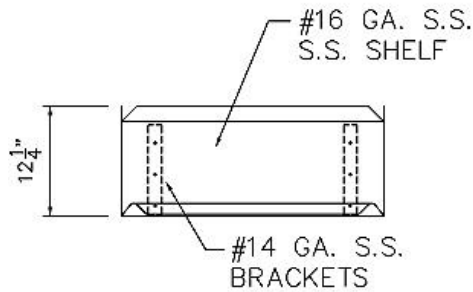
Aerohot®

DUKE DISHTABLES
Rack Shelves -
Wall Mounted Rack Shelves

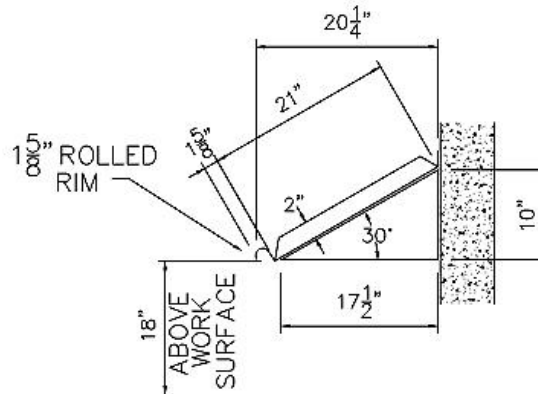
- | | | | |
|--------------------------|--------------|-------------------------------|---------------|
| | Solid | Tubular | Length |
| <input type="checkbox"/> | SD-1 | <input type="checkbox"/> TD-1 | 21" length |
| <input type="checkbox"/> | SD-2 | <input type="checkbox"/> TD-2 | 42" length |
| <input type="checkbox"/> | SD-3 | <input type="checkbox"/> TD-3 | 63" length |
| <input type="checkbox"/> | SD-4 | <input type="checkbox"/> TD-4 | 84" length |
| | | <input type="checkbox"/> TD-5 | Table Mounted |



TOP VIEW



FRONT VIEW



RIGHT SIDE

Wall Mounted Rack Shelves

SOLID DESIGN						TUBULAR DESIGN					
Model	Length		Weight		Cube ft. crated	Model	Length		Weight		Cube ft. crated
	in.	cm	lbs.	kg			in.	cm	lbs.	kg	
SD-1	48	121.9	80	36.3	1.0	TD-1	21	53.3	15	6.8	1.0
SD-2	60	152.4	95	43.1	2.0	TD-2	42	106.7	23	10.5	2.0
SD-3	72	182.9	110	49.9	4.0	TD-3	63	160.0	30	13.6	4.0
SD-4	96	243.8	140	63.5	5.0	TD-4	84	213.4	38	17.3	5.0
						TD-5	Table Mounted				



"Your Solutions Partner"

DUKE MANUFACTURING CO.
 2305 N. Broadway
 St. Louis, MO 63102

800.735.3853 Toll Free
 314.231.1130 In Missouri
 314.231.5074 Fax
www.dukemfg.com

Specifications subject to change

KaTom Restaurant Supply, Inc.