



Your Solutions Partner

Specifications

F.O.B Sedalia, Missouri 65301



TUS-46

OPTIONS:

- 14 gauge tops
- Internal Locking device
- Double-service drain trough
- Workshelves
- Trayslides
- Recessed top in lieu of flat top
- Partial length drip trough
- Sliding/Hinged doors
- 6" adjustable stainless steel legs
- Veneered plastic laminate panels on body
- Powder coat paint colors
- 6', 8' or 10' cord and plug
- Kickplates s/s or p/g

AGENCY LISTING:



DUKE MANUFACTURING CO.

2305 N. Broadway
St. Louis, MO 63102

800.735.3853 Toll Free
314.231.1130 In Missouri
314.231.5074 Fax
www.dukemfg.com

SS-DM-000312-TSS-14

Approval Stamp(s):

PRODUCT INFORMATION:

PROJECT: _____
ITEM: _____
QUANTITY: _____

MODEL:

Thurmaduke Serving Systems Urn Stand Units

- TUS-32** 32" length unit/.26" length drip trough
- TUS-46** 46" length unit/.40" length drip trough
- TUS-60** 60" length unit/.54" length drip trough
- TUS-74** 74" length unit/.68" length drip trough

TOP:

- 16 gauge, 300 Series stainless steel
- Sound-deadening
- 4" wide drain trough, 6" shorter than top
- 1" drain
- Stainless steel anti-splash grid, removable

BODY:

Choice of (12) powder coat paint colors (must choose one):

- | | |
|---|--|
| <input type="checkbox"/> #217105 - Designer White | <input type="checkbox"/> #217103 - Natural Almond |
| <input type="checkbox"/> #217150 - Orange Red | <input type="checkbox"/> #217154 - Racing Red |
| <input type="checkbox"/> #217107 - Hollyberry Red | <input type="checkbox"/> #217120 - Sky Blue |
| <input type="checkbox"/> #217127 - Fence Green | <input type="checkbox"/> #217152 - Stone Gray |
| <input type="checkbox"/> #217102 - Duke Silver | <input type="checkbox"/> #217113 - Brown Kickplate |
| <input type="checkbox"/> #217101 - Semi-Gloss Black | <input type="checkbox"/> #217125 - Textured Black |

- Stainless steel body
- Operator's side open to bottom shelf
- Side opposite operator and ends fully enclosed
- Intermediate and bottom shelves to match body
- NSF approved polyurethane casters, two with locks
- 7" high stainless steel rail on operator's side

SHORT FORM SPECIFICATIONS:

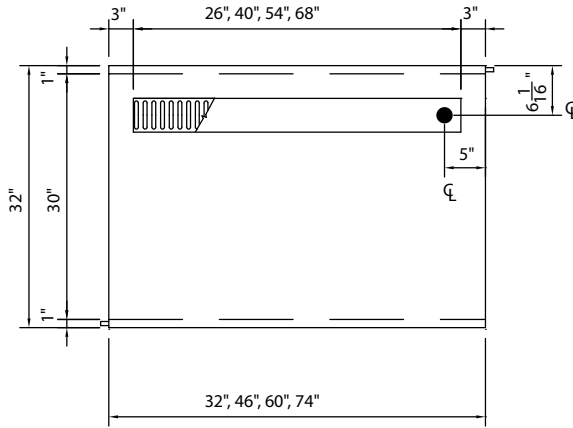
Thurmaduke Serving Systems - Urn Stand Units. Top shall be 16ga, 300 series Stainless Steel flanged down edges, flush at ends, 4" wide trough with 1" brass drain, s/s removable anti-splash grid, 20ga s/s body & under shelves with 9-1/2" clearance between, 5" dia. NSF approved swivel casters, 2 w/ locks.



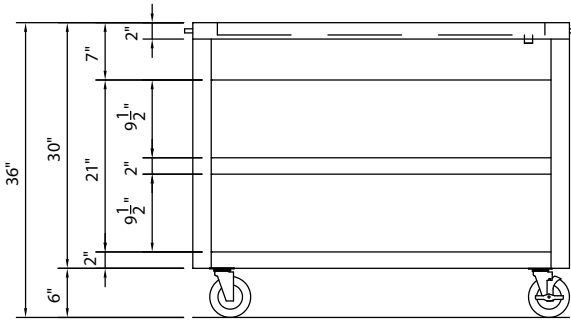
**Thurmaduke Serving Systems
Urn Stand Unit**

- TUS-32** 32" length unit/26" length drip trough
- TUS-46** 46" length unit/40" length drip trough
- TUS-60** 60" length unit/54" length drip trough
- TUS-74** 74" length unit/68" length drip trough

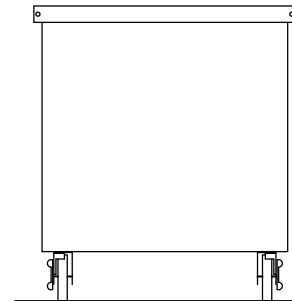
LEGEND	
●	- Drain Location - Specify location of drain.



TOP VIEW



FRONT VIEW



RIGHT SIDE VIEW

DIMENSIONS:

Freight Class: 150

Model	Length		Width		Height		Cube ft. crated	Weight		Drip Trough			
	in	cm	in	cm	in	cm		lbs	kg	Length		Width	
										in	cm	in	cm
TUS-32	32	81.3	32	81.3	36	91.4	34.8	275	125.0	26	66.0	4	10.2
TUS-46	46	116.8	32	81.3	36	91.4	47.7	325	147.7	40	101.6	4	10.2
TUS-60	60	152.4	32	81.3	36	91.4	60.5	375	170.5	54	137.2	4	10.2
TUS-74	74	188.0	32	81.3	36	91.4	73.3	425	193.2	68	172.7	4	10.2



DUKE MANUFACTURING CO.

2305 N. Broadway
St. Louis, MO 63102

800.735.3853 Toll Free
800.231.1130 In Missouri
314.231.5074 Fax
www.dukemfg.com

Specification subject to change