

HIGH CAPACITY, COUNTER-TOP COMBINATION SOFT SERVE/SHAKE GRAVITY FREEZER

BEST
WARRANTY
IN THE
INDUSTRY



F144

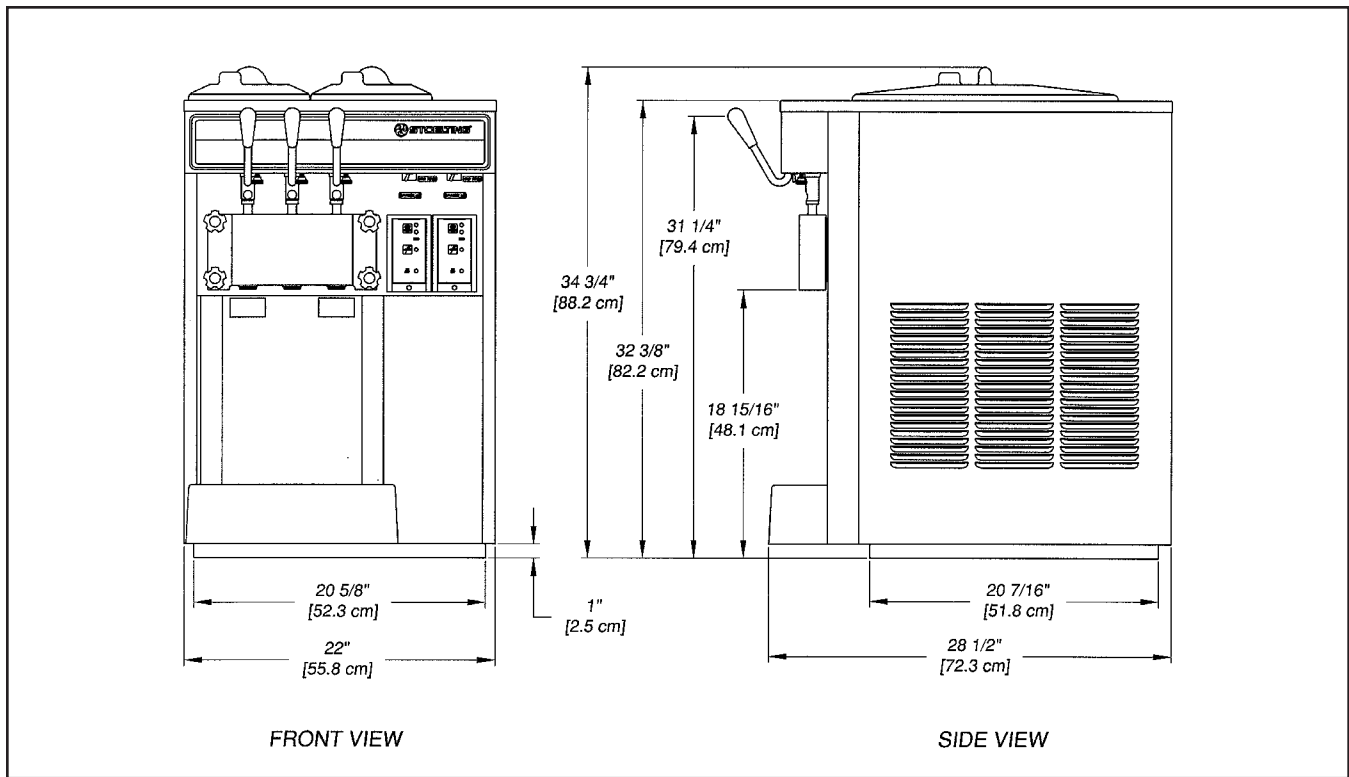
SF144

- High production capacity with 12,000 BTU/hr compressor and (two) 3/4 HP drive motors
- Two independent electronic control systems assure peak efficiency and uniform product consistency
- Self-sharpening, nonmetallic auger flights for reliable service
- Product consistency is that of a medium to thick shake
- Optional mixers for shakes (field or factory installed)
- Allows the operators to dispense outstanding soft serve from the left side, and thick creamy shakes on the right side, with the convenience and cost of one unit
- The F144 is the ideal choice for restaurants, drive-ins, recreational facilities, ice cream parlors, schools, and cafeterias
- Durable stainless steel exterior
- Optional floor stand, super duty mixer, side mounted spinner, flavor dispenser



Machine depicted
w/floor stand

 **STOELTING**
Since 1905



SPECIFICATIONS	MODEL SF144/F144 (Air or Water-Cooled)	
DIMENSIONS	FREEZER	WITH CRATE
Depth	28 1/2" (72.3 cm)	35 1/5" (89.4 cm)
Width	22" (55.8 cm)	28" (71.1 cm)
Height	34 3/4" (88.2 cm)	40 1/3" (102.4 cm)
WEIGHT	FREEZER	WITH CRATE
	385 lbs. (174.6 kg)	470 lbs. (213.2 kg)
ELECTRICAL	208/230, 1 phase, approximately 11 total running Amps, 20 Amp. maximum fuse or circuit breakers, NEMA 6-20P power cord provided.	
REFRIGERANT	R404a	
COMPRESSOR	12,000 BTU/hr.	
DRIVE MOTOR	(2) 3/4 H.P.	
COOLING	Air or water cooled units available.	
AIR FLOW	In right side, out left side; 3" minimum air clearance.	
PLUMBING FITTINGS	Water cooled requires 1/2" N.P.T. water and drain fittings.	
FREEZING CYLINDER VOLUME	Two .85 gallon (3.4 qt.; 3.22 litre)	
ACCESSORIES	Front mounted mixer - part number 1183354 Side mounted spinner kit, - part number 2177877 Three-tier flavor dispenser - part number 521021 FS2 floor stand - part number 4177350	
WARRANTY	One-year parts and labor warranty; five year warranty on compressor, evaporator assembly, drive motor, speed reducers, auger shaft, and auger flights (against breakage).	

Continuous research leads to ongoing product improvements; therefore, these specifications are subject to change without notice.

Distributed by:



502 Highway 67 • Kiel, WI 53042-1600
920-894-2293 • 800-558-5807
Fax: 920-894-7029
E-mail: commercial@stoelting.com
Internet: www.stoelting.com

Certified, Listed and/or Recognized by:

