



PROJECT:	MODEL:	QUANTITY:	ITEM NO:

MOBILE BARS & BACK-UP

For Beverage Service Using Pre-Mix / Post-Mix / Bag-in-Box

WEATHER-ALL "SBBC SERIES"



WEATHER-ALL Series

ALL STAINLESS STEEL



SBBC-88-PO

Shown with optional Post-Mix Dispensing System



SBBC-66

SIC-222
Ice Storage Cart

Specify Dispensing System Sink and Fittings at time of order:

- "PR" for Pre-Mix Dispensing System
- "PO" for Post-Mix Dispensing System
- "PO-BIB" for Post-Mix Bag-in-Box Dispensing System

Note: Additional charges for factory installation of beverage dispensing system.



These rugged bars are constructed from all stainless steel for year-round indoor/outdoor usage.

Constructed entirely of stainless steel, these attractive and functional bars are tough enough to be used outside year-round, and beautiful enough to grace the most elegant banquet hall. Neither high humidity or inclement weather present a problem to the versatile Weather-All bar.

Use it inside, poolside, oceanside or beach. It will give years of durable, dependable service when properly maintained.

Because it's completely mobile on 5 inch diameter polyurethane tire casters, you can roll it to where the crowds (and profits) are, to save table service, labor and provide faster service to customers.

For even more efficient service, the matching Weather-All Ice Cart and Back Bar are perfect companions to FWE's functional indoor/outdoor bar.

"Weather-All" is a trademark of Food Warming Equipment Co., Inc.

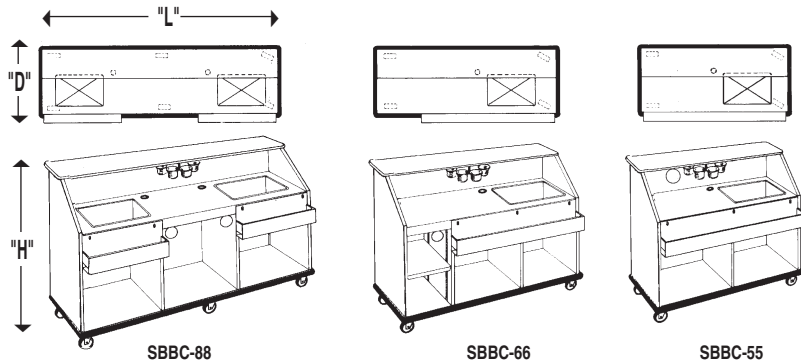
- ◇ Indoor / outdoor usage
- ◇ Welded steel top and bottom frames
- ◇ Raised marine front edge retard spills
- ◇ Rugged polyurethane tire casters
- ◇ 6 circuit sealed-in cold plate sink
- ◇ 60 lb. ice capacity with stainless steel sliding cover
- ◇ Stainless steel work surface and splash area with coved corners
- ◇ Removable bottle speed rack
- ◇ Handy underbar server with 4 bowls
- ◇ Towel ring
- ◇ Tank storage area
- ◇ Opening(s) for dispensing gun tubing
- ◇ Tank retainer strap
- ◇ Two year limited warranty



PROJECT:	MODEL:	QUANTITY:	ITEM NO:
----------	--------	-----------	----------

SPECIFICATIONS:

WEATHER-ALL "SBBC SERIES" BARS available with matching Back-Up Bar and Ice Cart



**ICE STORAGE CART
SIC-222**

Holds 200 lbs. of ice! Fully insulated. Flip-top stainless lid. Drain, push bar handle, and all swivel 5" casters. Welded steel frame.



**BACK BAR
SPSC-44**

Enclosed on 3-sides! Stores glasses and bar accessories. Convenient work/serve black top. Stainless steel interior shelves on 9.5", 11.5", and 14" spacings. Welded steel frame. 5" casters.

MODEL NUMBER	OVERALL EXTERIOR DIMENSIONS IN. (mm)			WORKING AREA HEIGHT	PRE-MIX TANK CAPACITY	BOTTLE RACK CAPACITY [A]	CASTER SIZE	SHIP WT. LBS. (KG)
	HIGH "H"	DEEP "D" [A]	LONG "L"					
SBBC-5 (Without Bumper)	45.5" (1156)	26.5" (673)	60" (1524)	35.5" (902)	4	12 qts	5"	480 (218)
SBBC-55 with Full Bumper	45.5" (1156)	28.5" (724)	62" (1575)	35.5" (902)	4	12 qts	5"	500 (227)
SBBC-6 (Without Bumper)	45.5" (1156)	26.5" (673)	72" (1829)	35.5" (902)	6	12 qts	5"	555 (252)
SBBC-66 with Full Bumper	45.5" (1156)	28.5" (724)	75" (1905)	35.5" (902)	6	12 qts	5"	575 (261)
SBBC-8 (Without Bumper)	45.5" (1156)	26.5" (673)	96" (2438)	35.5" (902)	8	16 qts	5"	600 (272)
SBBC-88 with Full Bumper	45.5" (1156)	28.5" (724)	98" (2489)	35.5" (902)	8	16 qts	5"	620 (281)

Consult Factory for SHIPPING CLASS

[A] Removable bottle speed rack extends 3.5" beyond depth dimension.

MODEL NUMBER	OVERALL EXTERIOR DIMENSIONS IN. (mm)			ICE TANK CAPACITY	CASTER SIZE	SHIP WT. LBS. (KG)
	HIGH "H"	DEEP "D"	LONG "L"			
SIC-200 (Without Bumper)	33.5" (1156)	24.5" (648)	24.5" (648)	200 lbs	5"	140 (64)
SIC-222 with Full Bumper	33.5" (1156)	26.5" (673)	26.5" (673)	200 lbs	5"	150 (68)

MODEL NUMBER	OVERALL EXTERIOR DIMENSIONS IN. (mm)			CASTER SIZE	SHIP WT. LBS. (KG)
	HIGH "H"	DEEP "D"	LONG "L"		
SPSC-4 (Without Bumper)	45.5" (1156)	26.5" (673)	48" (1219)	5"	480 (218)
SPSC-44 with Full Bumper	45.5" (1156)	28.5" (724)	50" (1270)	5"	500 (227)
SPSC-6 (Without Bumper)	45.5" (1156)	26.5" (673)	72" (1829)	5"	555 (252)
SPSC-66 with Full Bumper	45.5" (1156)	28.5" (724)	75" (1905)	5"	575 (261)
SPSC-8 (Without Bumper)	45.5" (1156)	26.5" (673)	96" (2438)	5"	600 (272)
SPSC-88 with Full Bumper	45.5" (1156)	28.5" (724)	98" (2489)	5"	620 (281)

WEATHER-ALL BARS:

CONSTRUCTION. Heliarc welded, single unit construction shall consist of welded stainless steel base frame of heavy gauge 1" square stainless steel tubing with extra 10-gauge stainless steel caster corner plate reinforcements.

BODY / TOP MATERIALS. Shall be stainless steel, heliarc welded; ground and polished. Interior work surface shall be constructed of stainless steel, with easy-to-clean covered corners. Front edge of work surface shall have raised marine nosing to retard spills.

CASTERS. Polyurethane tire casters in a configuration of two (2) rigid, and two (2) swivel with brake. Casters shall have a reinforced yoke welded to 10-gauge caster mounting plate. The caster mounting plate shall be secured to a 10-gauge stainless steel reinforcing stress plate via welded in place stainless steel studs.

The reinforcing stress plates shall be welded to the heavy gauge tubular frame of the unit. Eight (8) foot models are equipped with six (6) casters: four (4) rigid casters and two (2) swivel with brake.

BUMPERS. Full bumper models shall have solid 1-1/2" wide continuous wraparound aluminum channel, bolted to frame, with snap-in, non-marking replaceable vinyl cushion. Full perimeter bumper shall be continuous, for added protection, with corner cut-outs to facilitate cleaning.

STORAGE AREA. On six (6) foot models, the glass storage area shall include removable and adjustable stainless steel shelf. On all models, the bottom storage area shall be stainless steel lined. Tank storage area shall accommodate a minimum of four (4) 5-gallon premix tanks, and CO₂ tank, and a tank retainer strap shall be provided.

ICE SINK WITH SEALED IN COLD PLATE.

Sink shall be one-piece stainless steel with covered corners: 19-3/4" x 12-3/4" x 10-1/2" deep. Sink shall have enclosed foam insulation with drain and line fittings. 6 circuit sealed-in cold plate shall be compatible for use with Pre-Mix, Post-Mix, and Bag-in-Box systems. Sink shall have a capacity of 60 lbs., and be provided with a stainless steel sliding cover. Specify system to be used: Pre-Mix, Post-Mix or Bag-in-Box.

BAR ACCESSORIES. Standard equipment shall include 5" deep, heavy gauge stainless steel bottle speed rack extending 3-1/2" beyond depth dimension of 31.5"; removable without tools. Revolving underbar server shall have four (4) removable bowls. Towel ring shall be provided under top work surface.

Optional Accessories:

- Locking bottle speed rack
- Extra stainless steel shelves
- Locking doors for storage areas
- Stainless steel bar gutters
- Pre-mix dispensing equipment
- Post-mix dispensing equipment
- Bag-in-Box dispensing equipment
- Protective storage cover
- All swivel casters
- All swivel with brake casters

FWE Products are used by major companies world-wide. We can modify, design, or custom build equipment to fit your special requirements.



Food Warming Equipment Company, Inc.

P.O. Box 1001
Crystal Lake, IL 60039 USA
800-222-4393; 815-459-7500
Fax: 815-459-7989

Manufacturing Facilities:
7900 S. Route 31
Crystal Lake, IL 60014 USA
www.FWE.com sales@fweco.net

FWE products may be covered under one or more of the following U.S. patents: 288,299;238,300;3,952,609;4,192,991.

All specifications subject to change without notice.
© 11c Food Warming Equipment Company, Inc.