

Item No. _____

Model Number: 2001ST

Description

CITATION BC W/SS DOME

For over 30 years, the Citation 14 ounce popper has been the finest money can buy. About 300 ounces of perfectly popped popcorn per hour. Heater blower corn freshener.

#2102 Deluxe Citation is pre-wired for oil pump and features the heavy duty steel kettle. The #2001 uses a cast aluminum kettle.

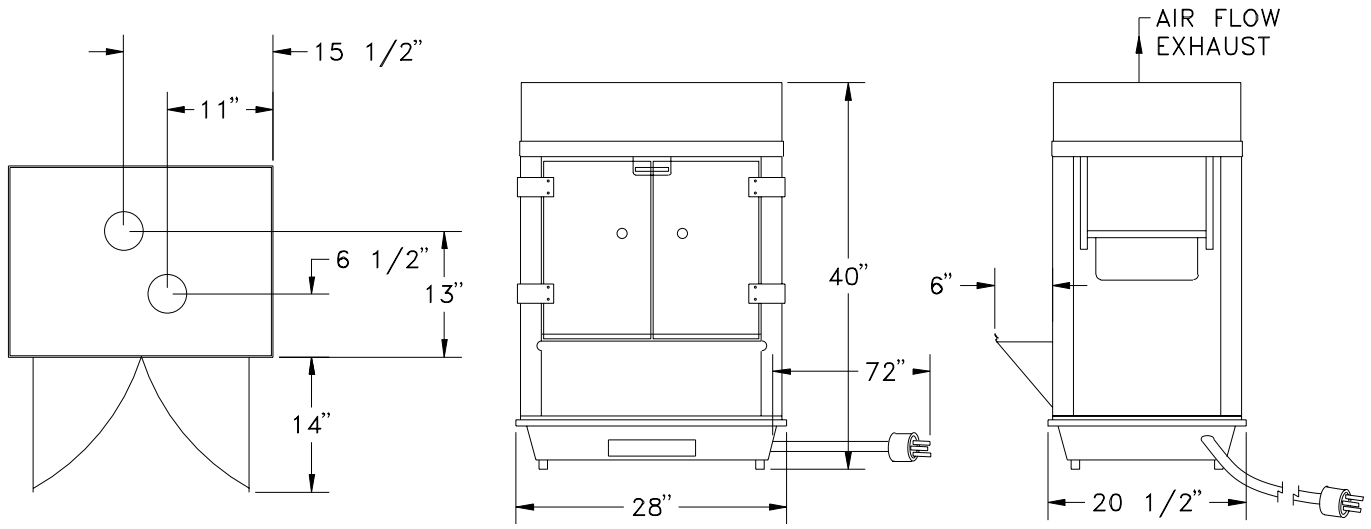


Gold Medal Products Co.

10700 Medallion Drive
Cincinnati, Ohio 45241-4807
E-Mail goldme19@eos.net
Web Site gmpopcorn.com

Phone: (513) 769-7676
(800) 543-0862
Fax: (513) 769-8500
Toll Free Fax (800) 542-1496

Model Number: 2001ST



Width: 28.00
Length: 20.50
Height: 40.00
Weight: 117

Pkg Width: 29.00
Pkg Length: 21.00
Pkg Height: 45.00
Pkg Weight: 121.00
CU/FT: 15.86

Voltage: 120
AMPS: 24
Wattage: 2880

Hertz: 60
Receptacle: 5-15R
Plug Type: 5-15P

Model Variations

Gold Medal Products Co.

10700 Medallion Drive
Cincinnati, Ohio 45241-4807
E-Mail goldme19@eos.net
Web Site gmpopcorn.com

Phone: (513) 769-7676
(800) 543-0862
Fax: (513) 769-8500
Toll Free Fax (800) 542-1496