

Item No. _____

Model Number: 2003

Description

WHIZ BANG P/C MACHINE

Since 1957, America's favorite 12 ounce kettle popper. Heavy duty in every respect. Terrific working room – adequate display space – a very safe, fun-to-operate popcorn machine.

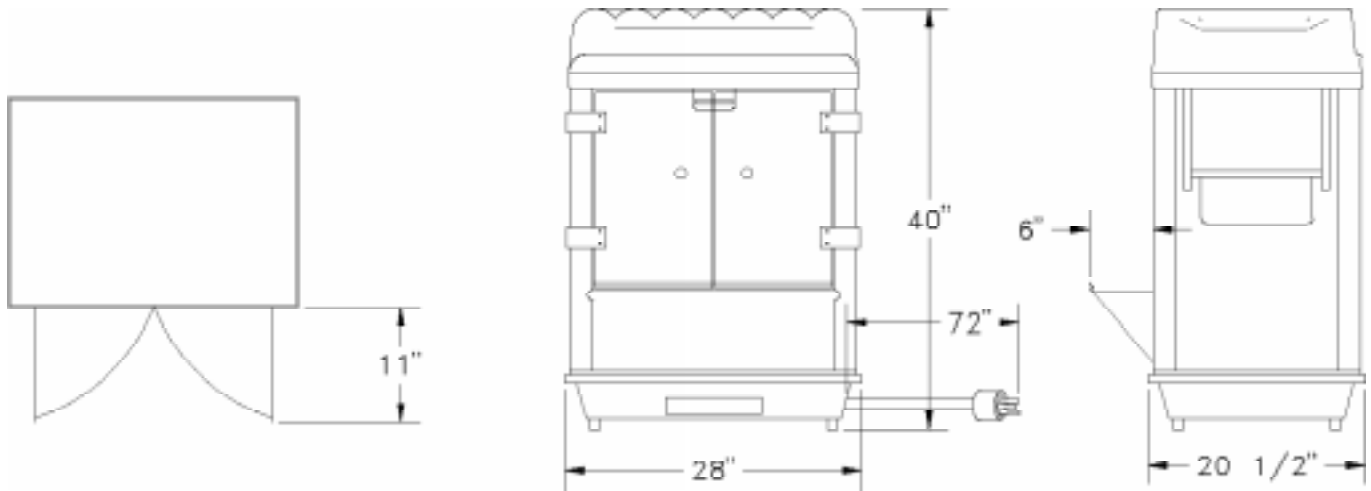


Gold Medal Products Co.

10700 Medallion Drive
Cincinnati, Ohio 45241-4807
E-Mail goldme19@eos.net
Web Site gmpopcorn.com

Phone: (513) 769-7676
(800) 543-0862
Fax: (513) 769-8500
Toll Free Fax (800) 542-1496

Model Number: 2003



Width: 28.00
Length: 20.50
Height: 40.00
Weight: 105

Pkg Width: 29.00
Pkg Length: 21.00
Pkg Height: 45.00
Pkg Weight: 111.00
CU/FT: 15.86

Voltage: 120
AMPS: 20
Wattage: 2400

Hertz: 60
Receptacle: 5-30R
Plug Type: 5-30P

Model Variations

Gold Medal Products Co.

10700 Medallion Drive
Cincinnati, Ohio 45241-4807
E-Mail goldme19@eos.net
Web Site gmpopcorn.com

Phone: (513) 769-7676
(800) 543-0862
Fax: (513) 769-8500
Toll Free Fax (800) 542-1496