

Item No. \_\_\_\_\_

**Model Number:** 2007

**Description**

**POP-A-LOT P/C MACHINE**



For 50 years, the Popalot has been the leader in 6-8 ounce kettle machines. Extra working room and twin arm double hung kettle suspension means extra safety for your operator – more sales making display of popped corn, illuminated dome helps maximize sales. Easy to operate. Easiest to keep clean. This and all 8 ounce kettle machines feature an easy removable kettle.

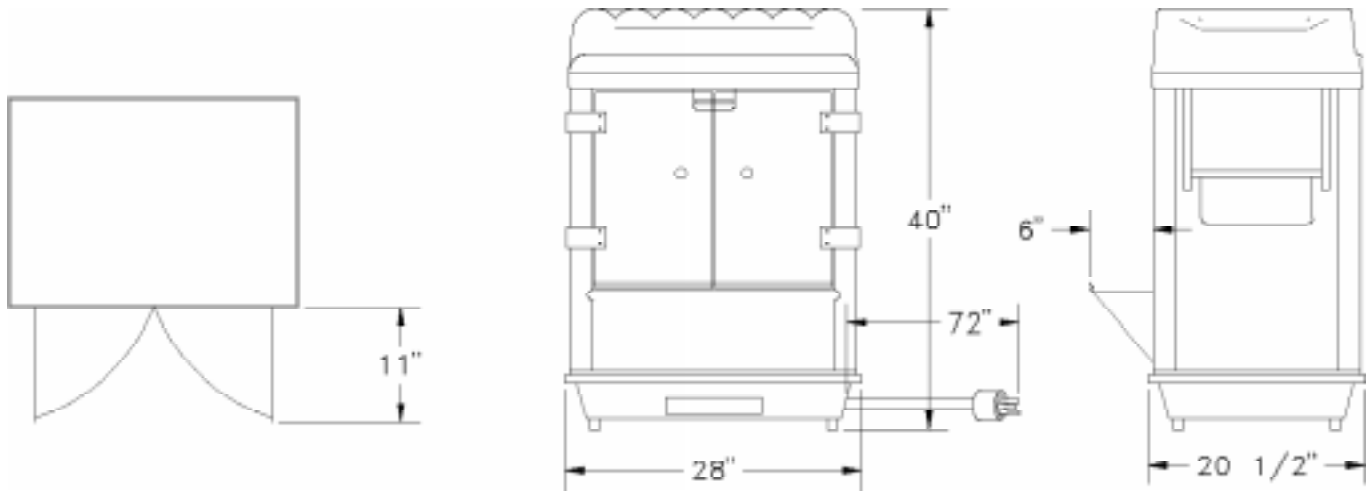


**Gold Medal Products Co.**

10700 Medallion Drive  
Cincinnati, Ohio 45241-4807  
E-Mail [goldme19@eos.net](mailto:goldme19@eos.net)  
Web Site [gmpopcorn.com](http://gmpopcorn.com)

Phone: (513) 769-7676  
(800) 543-0862  
Fax: (513) 769-8500  
Toll Free Fax (800) 542-1496

Model Number: 2007



Width: 28.00  
Length: 20.50  
Height: 40.00  
Weight: 100

Pkg Width: 29.00  
Pkg Length: 21.00  
Pkg Height: 45.00  
Pkg Weight: 106.00  
CU/FT: 15.86

Voltage: 120  
AMPS: 15  
Wattage: 1800

Hertz: 60  
Receptacle: 5-15R  
Plug Type: 5-15P

**Model Variations**

**Gold Medal Products Co.**

10700 Medallion Drive  
Cincinnati, Ohio 45241-4807  
E-Mail [goldme19@eos.net](mailto:goldme19@eos.net)  
Web Site [gmpopcorn.com](http://gmpopcorn.com)

Phone: (513) 769-7676  
(800) 543-0862  
Fax: (513) 769-8500  
Toll Free Fax (800) 542-1496