

Item No. _____

Model Number: 2007ST

Description

POP-A-LOT BC W/SS DOME



For 50 years, the Popalot has been the leader in 6-8 ounce kettle machines. Extra working room and twin arm double hung kettle suspension means extra safety for your operator – more sales making display of popped corn, illuminated dome helps maximize sales. Easy to operate. Easiest to keep clean. This and all 8 ounce kettle machines feature an easy removable kettle.

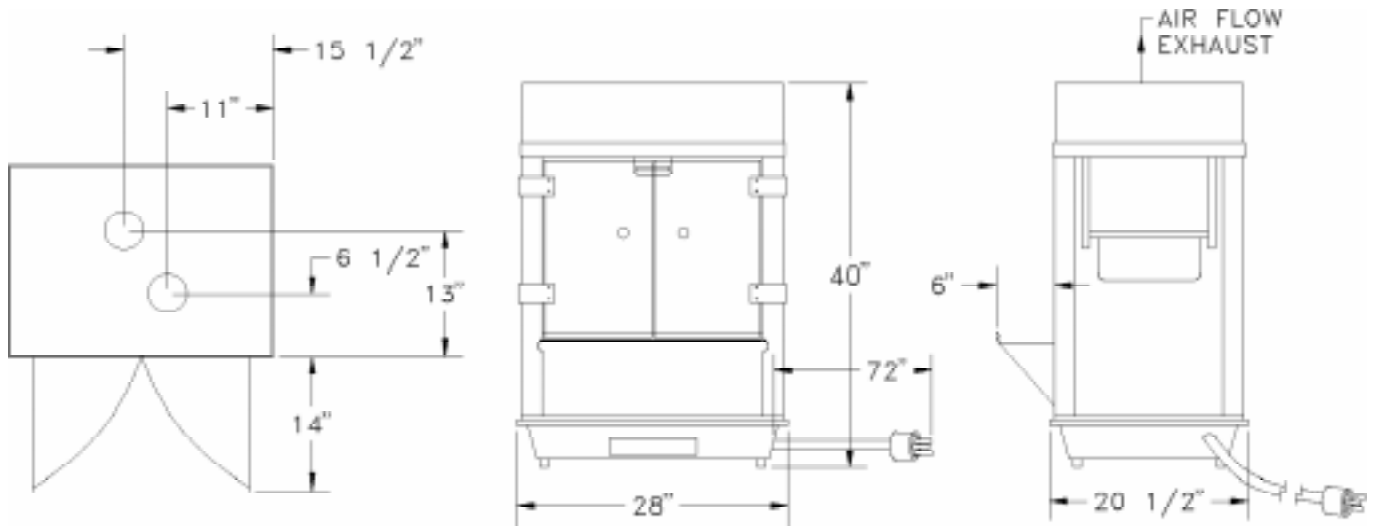


Gold Medal Products Co.

10700 Medallion Drive
Cincinnati, Ohio 45241-4807
E-Mail goldme19@eos.net
Web Site gmpopcorn.com

Phone: (513) 769-7676
(800) 543-0862
Fax: (513) 769-8500
Toll Free Fax (800) 542-1496

Model Number: 2007ST



Width: 28.00
Length: 20.50
Height: 40.00
Weight: 100

Pkg Width: 29.00
Pkg Length: 21.00
Pkg Height: 45.00
Pkg Weight: 106.00
CU/FT: 15.86

Voltage: 120
AMPS: 15
Wattage: 1800

Hertz: 60
Receptacle: 5-15R
Plug Type: 5-15P

Model Variations

Gold Medal Products Co.

10700 Medallion Drive
Cincinnati, Ohio 45241-4807
E-Mail goldme19@eos.net
Web Site gmpopcorn.com

Phone: (513) 769-7676
(800) 543-0862
Fax: (513) 769-8500
Toll Free Fax (800) 542-1496