

Item No. _____

Model Number: 2010BP

Description

20 OZ ASTRO THEATR COMPLT



KETTLE

- Removable for easy cleaning.
- Most efficient kettle design in the industry with the right size cook surface for the stated charge of corn.
- Better engineering ensures longer thermostat life.
- 3 minute popping cycle ensures maximum expansion – maximum sales per 50 lbs. of corn!
- The least “fall-out” of poppable kernels in the industry.

CABINET

- Unique 3-stage “power exhaust filter” system includes washable components – no need to have grease spots on the ceiling with Gold Medal machines.
- Best corn freshening system on the market – keep the corn hot – even with the doors open.
- Twin 250 watt heat lamps for additional corn freshening.
- Base unit takes a #2114 Accumeter Bucket Pump system or #2257H Bag-In-A-Box System.

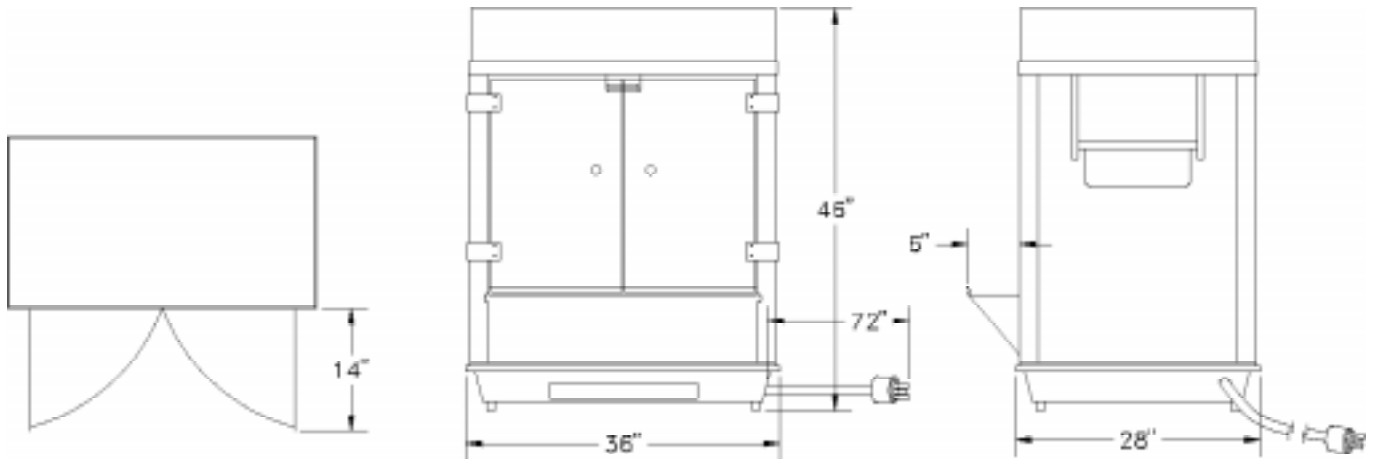


Gold Medal Products Co.

10700 Medallion Drive
Cincinnati, Ohio 45241-4807
E-Mail goldme19@eos.net
Web Site gmpopcorn.com

Phone: (513) 769-7676
(800) 543-0862
Fax: (513) 769-8500
Toll Free Fax (800) 542-1496

Model Number: 2010BP



Width: 36.00
Length: 28.00
Height: 46.00
Weight: 193

Pkg Width: 39.50
Pkg Length: 31.00
Pkg Height: 81.00
Pkg Weight: 218.00
CU/FT: 57.40

Voltage: 120/208 OR 120/240
AMPS: 16
Wattage: 3840

Hertz: 60
Receptacle: L14-20R
Plug Type: L14-20P

Model Variations

Gold Medal Products Co.

10700 Medallion Drive
Cincinnati, Ohio 45241-4807
E-Mail goldme19@eos.net
Web Site gmpopcorn.com

Phone: (513) 769-7676
(800) 543-0862
Fax: (513) 769-8500
Toll Free Fax (800) 542-1496