

Item No. \_\_\_\_\_

**Model Number:** 2023NT

**Description**

**ASTRO 16 NEON THEATER**

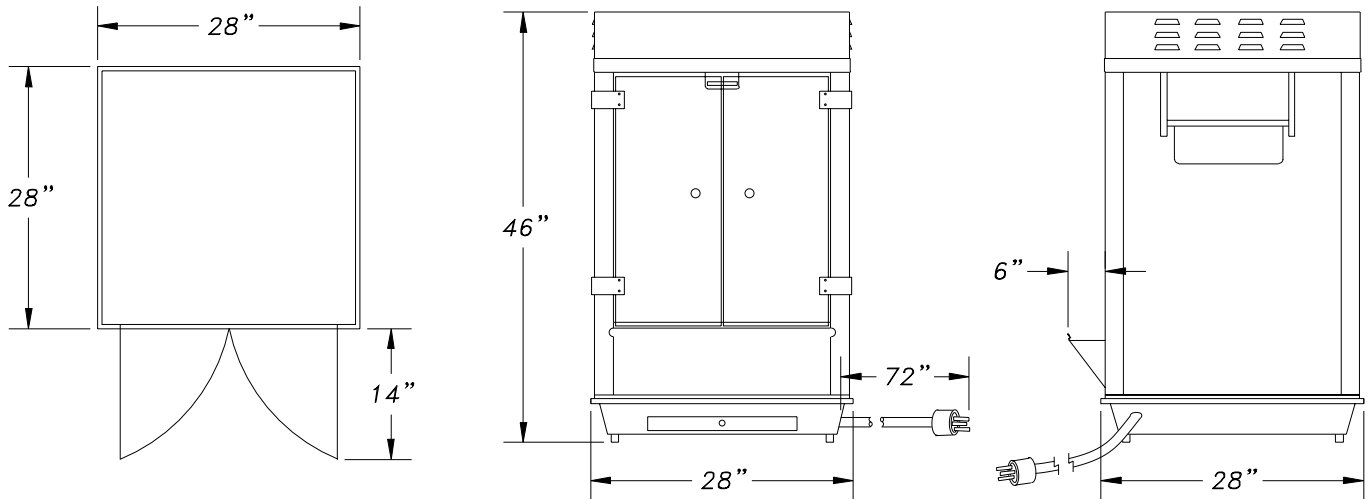


**Gold Medal Products Co.**

10700 Medallion Drive  
Cincinnati, Ohio 45241-4807  
E-Mail [goldme19@eos.net](mailto:goldme19@eos.net)  
Web Site [gmpopcorn.com](http://gmpopcorn.com)

Phone: (513) 769-7676  
(800) 543-0862  
Fax: (513) 769-8500  
Toll Free Fax (800) 542-1496

Model Number: 2023NT



Width: 28.00  
Length: 28.00  
Height: 46.00  
Weight: 240

Pkg Width: 31.00  
Pkg Length: 31.00  
Pkg Height: 50.00  
Pkg Weight: 288.00  
CU/FT: 27.81

Voltage: 120/208 OR 120/240  
AMPS: 13.5  
Wattage: 3240

Hertz: 60  
Receptacle: L14-20R  
Plug Type: L14-20P

**Model Variations**

**Gold Medal Products Co.**

10700 Medallion Drive  
Cincinnati, Ohio 45241-4807  
E-Mail [goldme19@eos.net](mailto:goldme19@eos.net)  
Web Site [gmpopcorn.com](http://gmpopcorn.com)

Phone: (513) 769-7676  
(800) 543-0862  
Fax: (513) 769-8500  
Toll Free Fax (800) 542-1496