

Item No. _____

Model Number: 2025BN

Description

CITATION WARMER NEON DOME



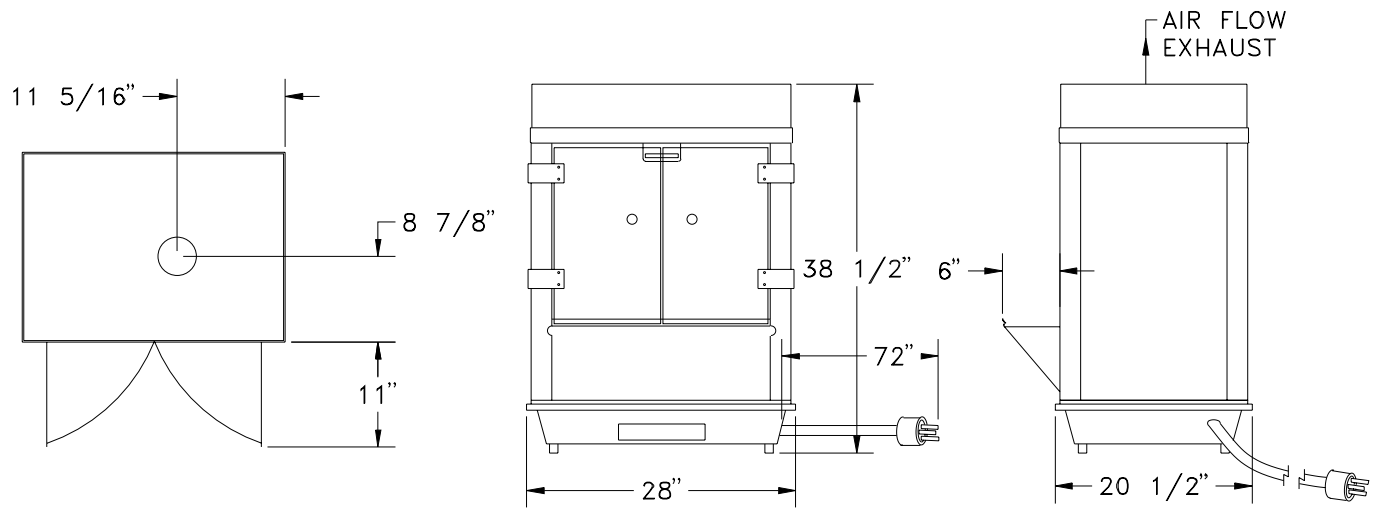
Illustrated is the Popalot/Citation Warmer with illuminated yellow dome. The Citation Warmer version uses forced hot air heater blower corn fresheners, plus infrared lights. The Popalot Warmer uses twin strip heaters, plus two infrared lights. Both are 28W x 20 1/4D x 38"H, the Popalot is 730 watts, the Citation, 1110 watts. Citation ship weight - 82 lbs.

Gold Medal Products Co.

10700 Medallion Drive
Cincinnati, Ohio 45241-4807
E-Mail goldme19@eos.net
Web Site gmpopcorn.com

Phone: (513) 769-7676
(800) 543-0862
Fax: (513) 769-8500
Toll Free Fax (800) 542-1496

Model Number: 2025BN



Width: 28.00
Length: 20.00
Height: 38.00
Weight: 72

Pkg Width: 21.00
Pkg Length: 29.00
Pkg Height: 45.00
Pkg Weight: 79.00
CU/FT: 15.86

Voltage: 120
AMPS: 9.4
Wattage: 1110

Hertz: 60
Receptacle: 5-15R
Plug Type: 5-15P

Model Variations

Gold Medal Products Co.

10700 Medallion Drive
Cincinnati, Ohio 45241-4807
E-Mail goldme19@eos.net
Web Site gmpopcorn.com

Phone: (513) 769-7676
(800) 543-0862
Fax: (513) 769-8500
Toll Free Fax (800) 542-1496