

Item No. \_\_\_\_\_

**Model Number:** 2085

**Description**

**SIXTY SPECIAL P/C MACHINE**



Very similar to the P-60, except bright anodized corner posts, durable red finish on the dome.

A great popper for the money.

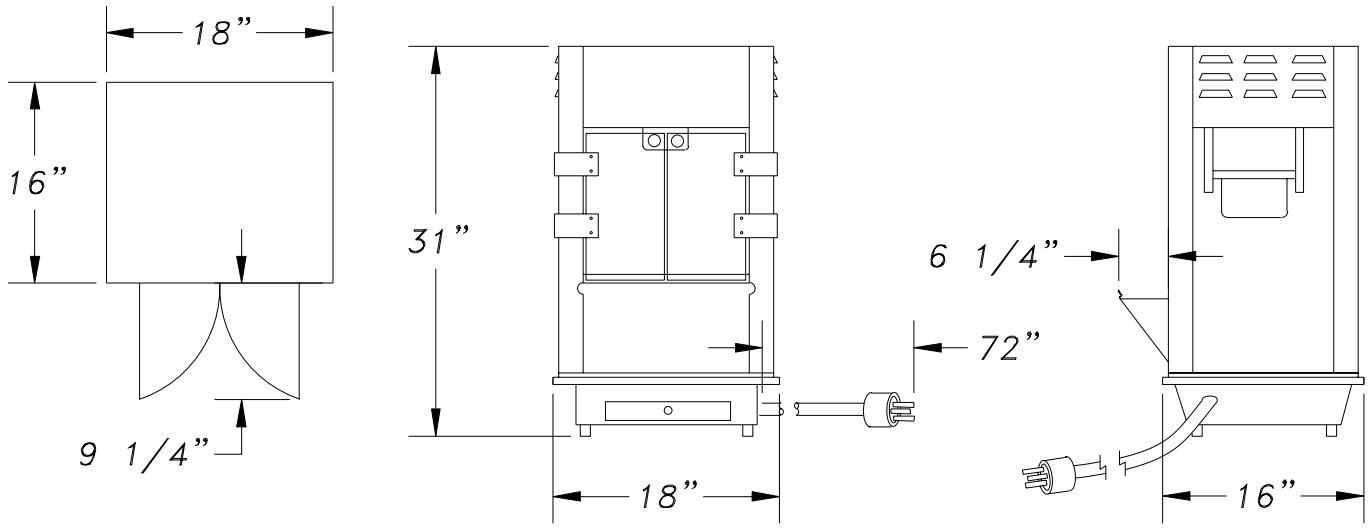


**Gold Medal Products Co.**

10700 Medallion Drive  
Cincinnati, Ohio 45241-4807  
E-Mail [goldme19@eos.net](mailto:goldme19@eos.net)  
Web Site [gmpopcorn.com](http://gmpopcorn.com)

Phone: (513) 769-7676  
(800) 543-0862  
Fax: (513) 769-8500  
Toll Free Fax (800) 542-1496

Model Number: 2085



Width: 18.00  
Length: 16.00  
Height: 28.00  
Weight: 48

Pkg Width: 20.00  
Pkg Length: 18.00  
Pkg Height: 34.00  
Pkg Weight: 56.00  
CU/FT: 7.08

Voltage: 120  
AMPS: 10  
Wattage: 1220

Hertz: 60  
Receptacle: 5-15R  
Plug Type: 5-15P

**Model Variations**

**Gold Medal Products Co.**

10700 Medallion Drive  
Cincinnati, Ohio 45241-4807  
E-Mail [goldme19@eos.net](mailto:goldme19@eos.net)  
Web Site [gmpopcorn.com](http://gmpopcorn.com)

Phone: (513) 769-7676  
(800) 543-0862  
Fax: (513) 769-8500  
Toll Free Fax (800) 542-1496