

Item No. _____

Model Number: 2086

Description

P-60 POPCORN MACHINE



This was our original modern-era six. Twin arm double hung kettle suspension, stainless steel kettle shell. Spun aluminum kettle. Removable kettle. Clear acrylic windows. Easy... Safe ... Also easy to clean.

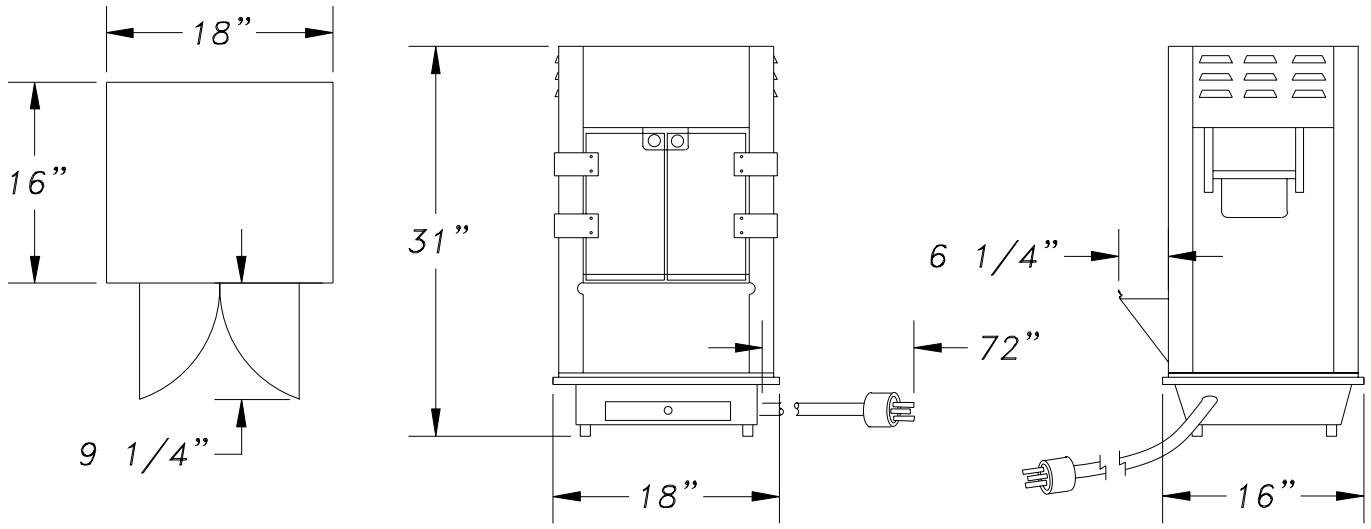


Gold Medal Products Co.

10700 Medallion Drive
Cincinnati, Ohio 45241-4807
E-Mail goldme19@eos.net
Web Site gmpopcorn.com

Phone: (513) 769-7676
(800) 543-0862
Fax: (513) 769-8500
Toll Free Fax (800) 542-1496

Model Number: 2086



Width: 18.00
Length: 16.00
Height: 28.00
Weight: 48

Pkg Width: 20.00
Pkg Length: 18.00
Pkg Height: 34.00
Pkg Weight: 53.00
CU/FT: 7.08

Voltage: 120
AMPS: 10
Wattage: 1220

Hertz: 60
Receptacle: 5-15R
Plug Type: 5-15P

Model Variations

Gold Medal Products Co.

10700 Medallion Drive
Cincinnati, Ohio 45241-4807
E-Mail goldme19@eos.net
Web Site gmpopcorn.com

Phone: (513) 769-7676
(800) 543-0862
Fax: (513) 769-8500
Toll Free Fax (800) 542-1496