

Item No. _____

Model Number: 2112

Description

28 OZ CORNADO UNIT



Every Gold Medal Popping Unit gives you these benefits:

- Fast, 3 minute popping cycle. 20 cycles per hour
- Most durable chrome plating on the kettle cook surface means longer lasting kettles
- Huge perforated screening area makes it easy to serve or pack clean corn
- Larger diameter kettles produce a better “pop out” – less fall out. More expansion!

These are but a few benefits that you get with either the 48 oz. or the 36 oz. Cornado Popping Units. High volume operators and professional concessionaires whose business success depends on reliable popper performance have virtually all switched to the Cornado popping head or popping unit.

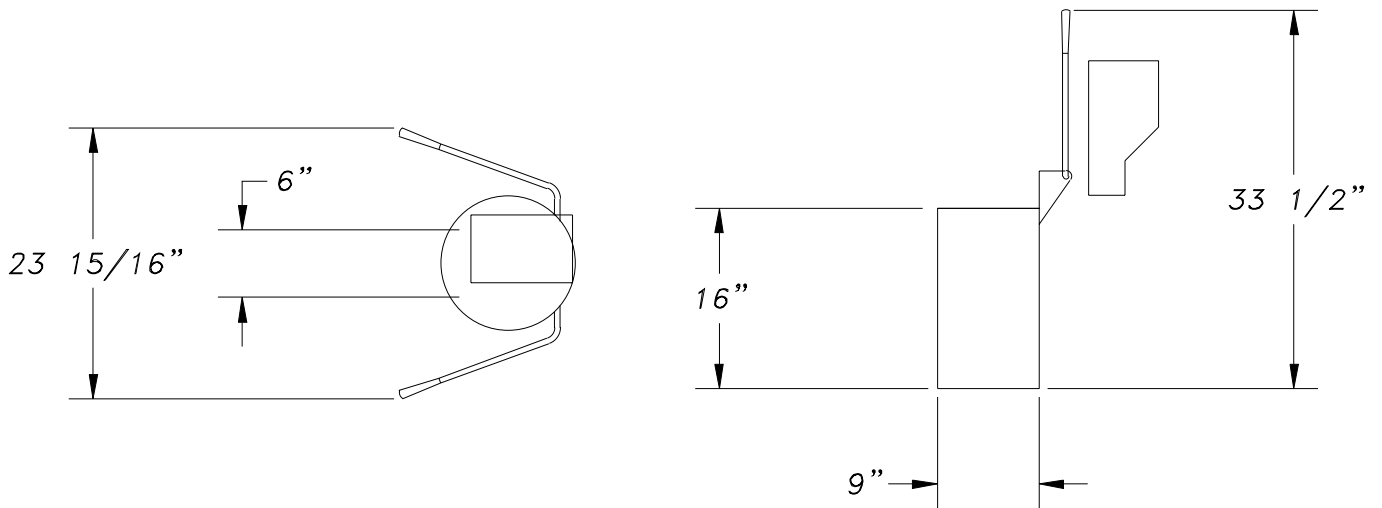


Gold Medal Products Co.

10700 Medallion Drive
Cincinnati, Ohio 45241-4807
E-Mail goldme19@eos.net
Web Site gmpopcorn.com

Phone: (513) 769-7676
(800) 543-0862
Fax: (513) 769-8500
Toll Free Fax (800) 542-1496

Model Number: 2112



Width: 24.00
Length: 25.00
Height: 37.00
Weight: 108

Pkg Width: 25.00
Pkg Length: 26.00
Pkg Height: 37.00
Pkg Weight: 112.00
CU/FT: 13.92

Voltage: 120/208 OR 120/240
AMPS: 20
Wattage: 3940

Hertz: 60
Receptacle: L14-30R
Plug Type: L14-30P

Model Variations

Gold Medal Products Co.

10700 Medallion Drive
Cincinnati, Ohio 45241-4807
E-Mail goldme19@eos.net
Web Site gmpopcorn.com

Phone: (513) 769-7676
(800) 543-0862
Fax: (513) 769-8500
Toll Free Fax (800) 542-1496