

Item No. _____

Model Number: 2119

Description

ANTQ CITATION P/C MACHINE



Chromalox heating elements – long life “midway” lights help attract attention. Plastic covers over every light for consumer safety. A real marquee popper. The Antique is pre-wired for oil pump. Features hot air blower warmer and steel deluxe 14 ounce kettle.

#2012 28 x 48” Steerable “Popcorn” Wagon with 20 x 28”

#12084 Stainless Steel Counter Top

Order your Popper, Wagon and Counter Top at the same time – counter top is included at no additional charge.

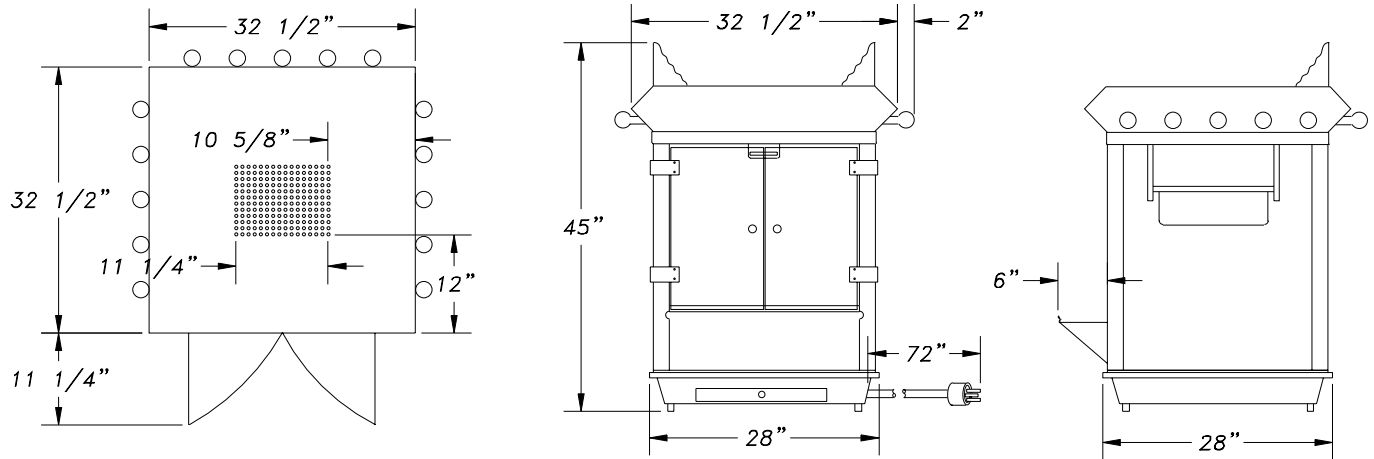


Gold Medal Products Co.

10700 Medallion Drive
Cincinnati, Ohio 45241-4807
E-Mail goldme19@eos.net
Web Site gmpopcorn.com

Phone: (513) 769-7676
(800) 543-0862
Fax: (513) 769-8500
Toll Free Fax (800) 542-1496

Model Number: 2119



Width: 28.00
Length: 28.00
Height: 66.00
Weight: 137

Pkg Width: 34.00
Pkg Length: 34.00
Pkg Height: 39.00
Pkg Weight: 137.00
CU/FT: 26.09

Voltage: 120
AMPS: 27
Wattage: 3240

Hertz: 60
Receptacle: 5-50R
Plug Type: 5-50P

Model Variations

Gold Medal Products Co.

10700 Medallion Drive
Cincinnati, Ohio 45241-4807
E-Mail goldme19@eos.net
Web Site gmpopcorn.com

Phone: (513) 769-7676
(800) 543-0862
Fax: (513) 769-8500
Toll Free Fax (800) 542-1496