

Item No. _____

Model Number: 2131

Description

ANTQ PINTO POP P/C MACH



All poppers on this page feature the Deluxe 8 oz. "E-Z Kleen" kettle – the heart of perfectly popped popcorn. Five styles of cabinets insure that one is perfect for your location. The #2131 is the extra ruggedly constructed 20 x 20" cabinet – extra height for more display and working room. A real eye catcher hat will help sell more popcorn.

#2015 Two Wheel Cart with #47661 8" Stainless Steel Counter completes the picture – a very profit-able popcorn installation.

The #47661 Counter Top is included at no charge when you order the #2015 and #2131 at the same time.

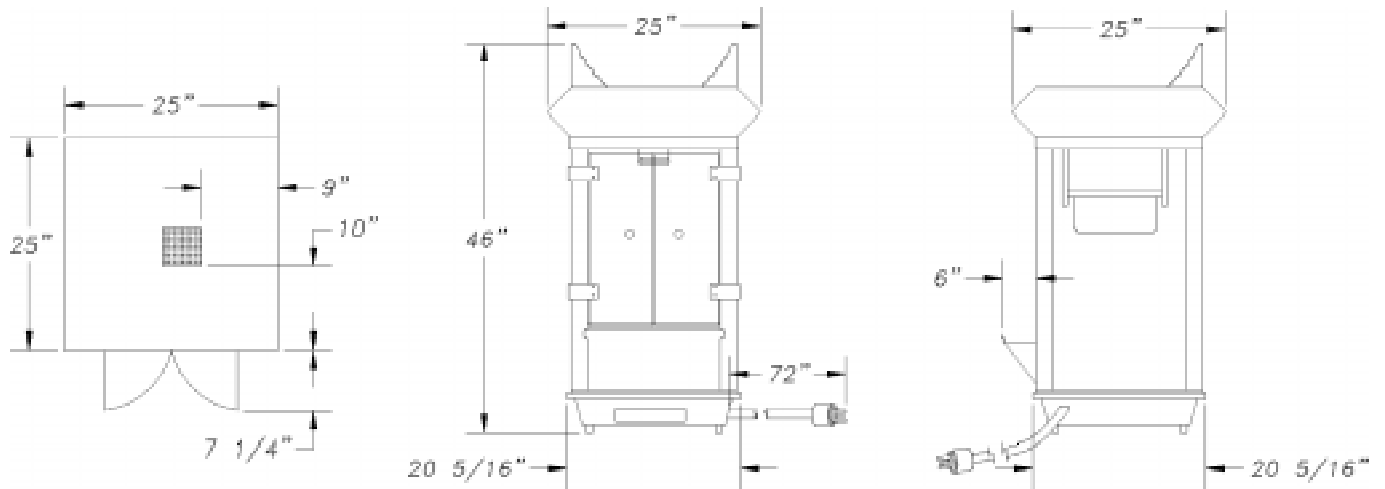


Gold Medal Products Co.

10700 Medallion Drive
Cincinnati, Ohio 45241-4807
E-Mail goldme19@eos.net
Web Site gmpopcorn.com

Phone: (513) 769-7676
(800) 543-0862
Fax: (513) 769-8500
Toll Free Fax (800) 542-1496

Model Number: 2131



Width: 20.25
Length: 20.25
Height: 40.00
Weight: 83

Pkg Width: 28.00
Pkg Length: 28.00
Pkg Height: 42.00
Pkg Weight: 100.00
CU/FT: 19.06

Voltage: 120
AMPS: 14.25
Wattage: 1710

Hertz: 60
Receptacle: 5-15P
Plug Type: 5-15R

Model Variations

Gold Medal Products Co.

10700 Medallion Drive
Cincinnati, Ohio 45241-4807
E-Mail goldme19@eos.net
Web Site gmpopcorn.com

Phone: (513) 769-7676
(800) 543-0862
Fax: (513) 769-8500
Toll Free Fax (800) 542-1496