

Item No. \_\_\_\_\_

**Model Number:** 2212

**Description**

**MEGA POP P/C MACHINE**



Over 250 ounces per hour and a 20 x 20" "footprint" turns this compact 12 into a gold mine. Welded bronze anodized frame. Woodgrain vinyl coated steel top. Etched glass windows – a true decor piece.

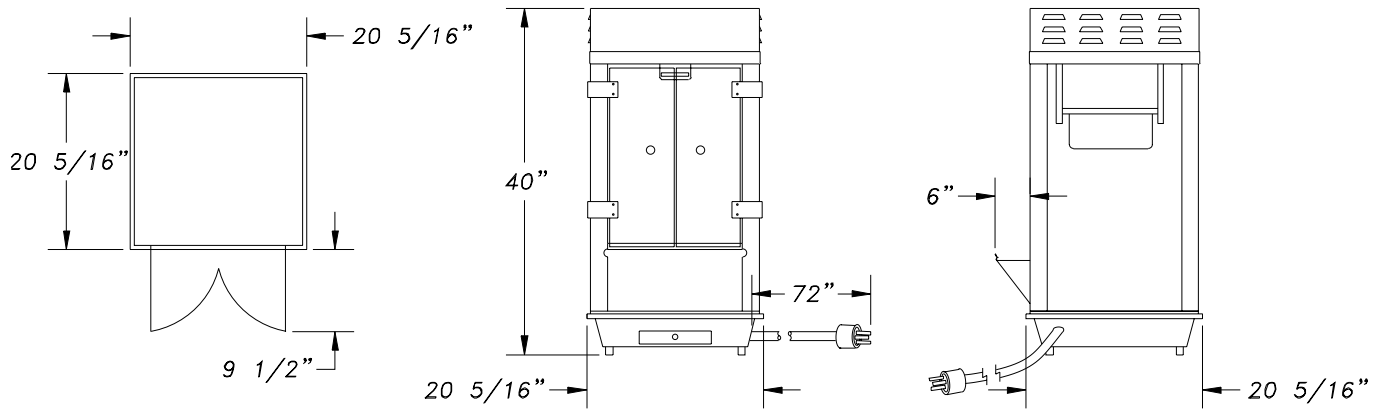


**Gold Medal Products Co.**

10700 Medallion Drive  
Cincinnati, Ohio 45241-4807  
E-Mail [goldme19@eos.net](mailto:goldme19@eos.net)  
Web Site [gmpopcorn.com](http://gmpopcorn.com)

Phone: (513) 769-7676  
(800) 543-0862  
Fax: (513) 769-8500  
Toll Free Fax (800) 542-1496

Model Number: 2212



Width: 20.25  
Length: 20.25  
Height: 35.00  
Weight: 83

Pkg Width: 23.00  
Pkg Length: 23.00  
Pkg Height: 41.00  
Pkg Weight: 87.00  
CU/FT: 12.55

Voltage: 120  
AMPS: 15.5  
Wattage: 1860

Hertz: 60  
Receptacle: 5-15R  
Plug Type: 5-15P

#### Model Variations

### Gold Medal Products Co.

10700 Medallion Drive  
Cincinnati, Ohio 45241-4807  
E-Mail [goldme19@eos.net](mailto:goldme19@eos.net)  
Web Site [gmpopcorn.com](http://gmpopcorn.com)

Phone: (513) 769-7676  
(800) 543-0862  
Fax: (513) 769-8500  
Toll Free Fax (800) 542-1496