

Item No. \_\_\_\_\_

**Model Number:** 2241DWN

**Description**

**48 OZ TWIN ENCL CORNADO**



For the greatest popping power available anywhere, the Twin Enclosed Cornado wins the contest! Two 36 oz. Cornado Units mounted in a 72" stainless steel cabinet will pop almost 100 lbs. of popcorn an hour. You'll need some fast folks to keep up with this machine. You get twin exhaust systems, two blower/heater systems, and two bucket oil pumps. Has two lead-ins, one for each popper. Add "BP" to get the Bag-In-A-Box option at a slightly higher cost. All Twin Cornado Poppers are deep well.

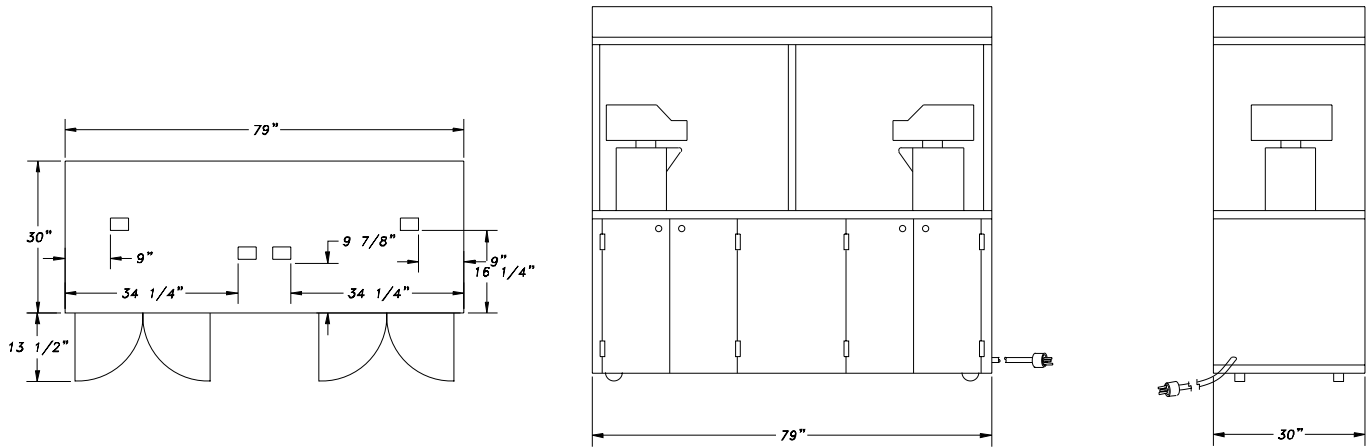


**Gold Medal Products Co.**

10700 Medallion Drive  
Cincinnati, Ohio 45241-4807  
E-Mail [goldme19@eos.net](mailto:goldme19@eos.net)  
Web Site [gmpopcorn.com](http://gmpopcorn.com)

Phone: (513) 769-7676  
(800) 543-0862  
Fax: (513) 769-8500  
Toll Free Fax (800) 542-1496

Model Number: 2241DWN



Width: 79.00  
Length: 30.00  
Height: 74.00  
Weight:

Pkg Width: 30.00  
Pkg Length: 79.00  
Pkg Height: 74.00  
Pkg Weight: 824.00  
CU/FT: 101.49

Voltage: 120/208 OR 120/240  
AMPS:  
Wattage: 15000

Hertz: 60  
Receptacle:  
Plug Type:

### Model Variations

## Gold Medal Products Co.

10700 Medallion Drive  
Cincinnati, Ohio 45241-4807  
E-Mail [goldme19@eos.net](mailto:goldme19@eos.net)  
Web Site [gmpopcorn.com](http://gmpopcorn.com)

Phone: (513) 769-7676  
(800) 543-0862  
Fax: (513) 769-8500  
Toll Free Fax (800) 542-1496