

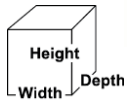
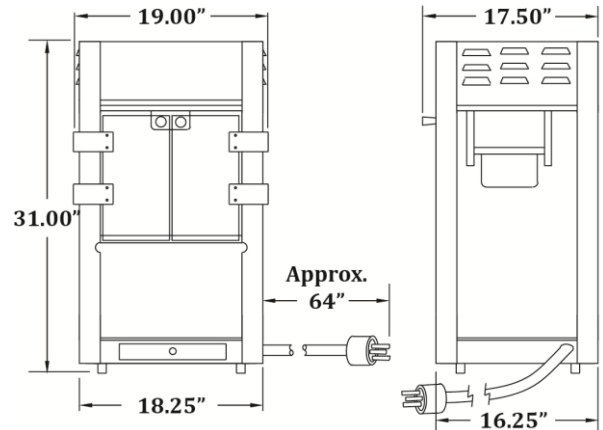


GOLD MEDAL® PRODUCTS CO.

Econo 8 Popcorn Machine

Model No. 2388

Specifications



Overall Dimensions:

Width: 19"
Depth: 17.5"
Height: 31"

Features:

- 8 oz. Stainless Steel Kettle

Electrical - Domestic

120V
1525 WATTS 60 Hz
(NEMA 5-15P) Plug

Plug Type:



Agency Approvals:



Gold Medal Products Co.
10700 Medallion Drive, Cincinnati, OH 45241

Ph: (513) 769-7676, (800) 543-0862; Fax: (513) 769-8500
gmpopcorn.com info@gmpopcorn.com