

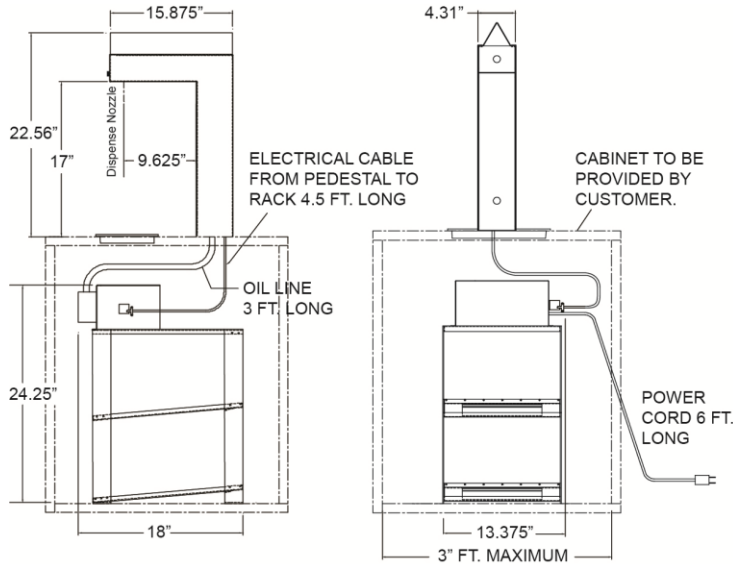


GOLD MEDAL® PRODUCTS CO.

Single Topping Dispenser

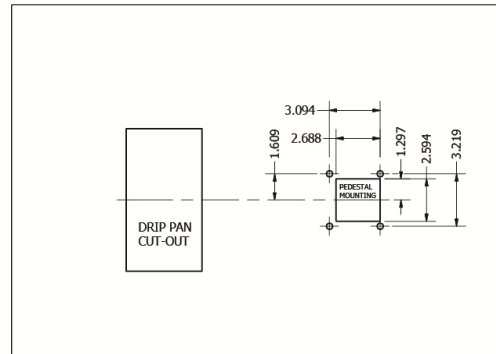
Model No. 2396-00-100

Specifications



Side View

To ensure adequate cabinet temperature, limit width of cabinet to 3 feet.



Countertop Cutout Dimensions

Overall Dimensions:

Width: Refer to image above for Dims.

Depth:

Height:

Model Includes: One pedestal, and one open rack assembly. (Customer to provide cabinet enclosure.)

Electrical - Domestic

120V

324 WATTS 60 Hz

(NEMA 5-15P) Plug

Power cord is attached to the rack system (located in cabinet). The pedestal connects to the rack system with an electrical cable.

Features:

- LED Lighted Sign on Pedestal
- Forced air heating system, controls temperature of cabinet to 120-130°F.
- Foil heater in pedestal assures dispense temperature of 110-130°F.
- Stainless steel Drip Tray included with unit.
- Rack holds (2) 35 lb. boxes of topping.

Plug Type:



NEMA 5-15P

Agency Approvals:



LISTED



Gold Medal Products Co.

10700 Medallion Drive, Cincinnati, OH 45241

Ph: (513) 769-7676, (800) 543-0862; Fax: (513) 769-8500

gmpopcorn.com info@gmpopcorn.com

Warranty shall be limited to the repair or replacement of any defective part for a period of six (6) months from the date of sale to the original purchaser with regard to labor and two (2) years with regard to parts and does not cover damage to the equipment caused by accident, alteration, improper use, voltage, abuse, or failure to follow instructions. See official warranty for complete details.