

Item No. _____

Model Number: 2489

Description

SUPER 88 P/C MACH W/LS



A lot of popper for the money. Stamped stainless steel twin arm kettle suspension, 8 ounce kettle, fluorescent back lit "Popcorn" sign helps sell more popcorn.

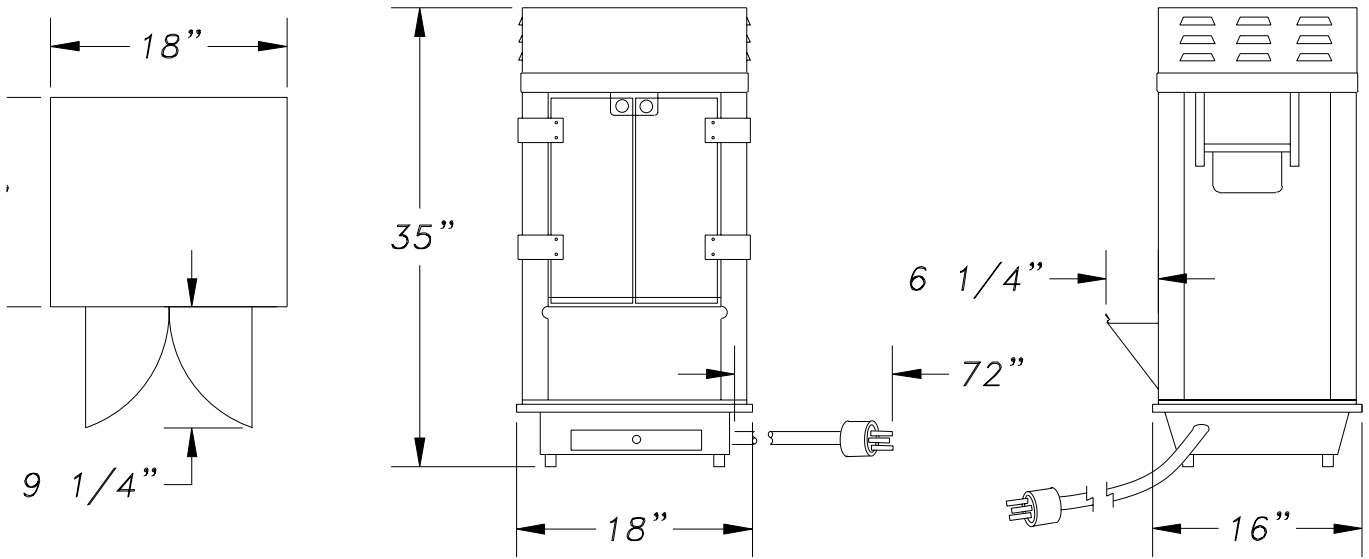


Gold Medal Products Co.

10700 Medallion Drive
Cincinnati, Ohio 45241-4807
E-Mail goldme19@eos.net
Web Site gmpopcorn.com

Phone: (513) 769-7676
(800) 543-0862
Fax: (513) 769-8500
Toll Free Fax (800) 542-1496

Model Number: 2489



Width: 18.00
Length: 16.00
Height: 35.00
Weight: 63

Pkg Width: 18.00
Pkg Length: 20.00
Pkg Height: 38.00
Pkg Weight: 69.00
CU/FT: 7.92

Voltage: 120
AMPS: 10.4
Wattage: 1550

Hertz: 60
Receptacle: 5-15R
Plug Type: 5-15P

Model Variations

Gold Medal Products Co.

10700 Medallion Drive
Cincinnati, Ohio 45241-4807
E-Mail goldme19@eos.net
Web Site gmpopcorn.com

Phone: (513) 769-7676
(800) 543-0862
Fax: (513) 769-8500
Toll Free Fax (800) 542-1496