

Item No. \_\_\_\_\_

**Model Number:** 2661

**Description**

**"DELUXE 60, ST STL W/SIGN"**



Call it the "Ultimate" because that's what it is – "Salesmaker" illuminated top header helps maximize your popcorn sales. Looks a lot like the big theatre models, but on a much smaller scale. The #2661 "Ultimate" has every feature you would want in a small popper.

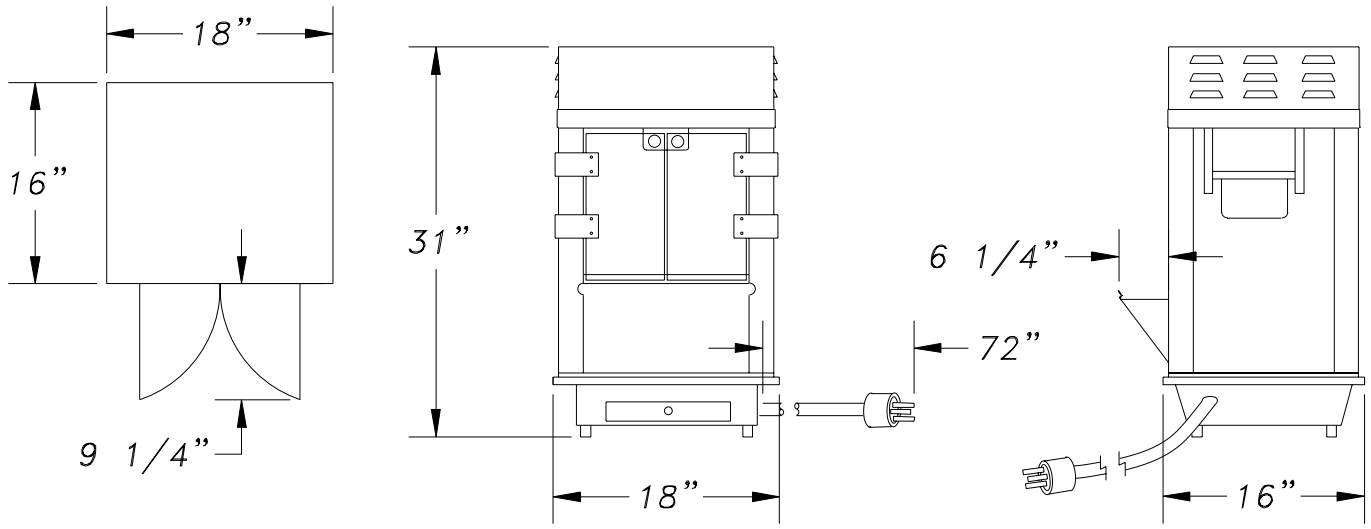


**Gold Medal Products Co.**

10700 Medallion Drive  
Cincinnati, Ohio 45241-4807  
E-Mail [goldme19@eos.net](mailto:goldme19@eos.net)  
Web Site [gmpopcorn.com](http://gmpopcorn.com)

Phone: (513) 769-7676  
(800) 543-0862  
Fax: (513) 769-8500  
Toll Free Fax (800) 542-1496

Model Number: 2661



Width: 18.00  
Length: 16.00  
Height: 31.00  
Weight: 53

Pkg Width:  
Pkg Length:  
Pkg Height:  
Pkg Weight: 68.00  
CU/FT: 0.00

Voltage: 120  
AMPS: 10  
Wattage: 1250

Hertz: 60  
Receptacle: 5-15R  
Plug Type: 5-15P

**Model Variations**

**Gold Medal Products Co.**

10700 Medallion Drive  
Cincinnati, Ohio 45241-4807  
E-Mail [goldme19@eos.net](mailto:goldme19@eos.net)  
Web Site [gmpopcorn.com](http://gmpopcorn.com)

Phone: (513) 769-7676  
(800) 543-0862  
Fax: (513) 769-8500  
Toll Free Fax (800) 542-1496