

Item No. \_\_\_\_\_

**Model Number:** 5099

**Description**

**GAS FUNNEL CAKE FRYER**



The professional operators ask for it – this may be ideal for you. A completely non-electric gas-fired Funnel Cake Fryer! A virtual “Money Machine” for those big special events. Work six to eight Funnel Cakes at a time – but if you like to pour and cook the first side in one fryer and then “finish” in a second, you’ll only work five at a time with this, maximum.

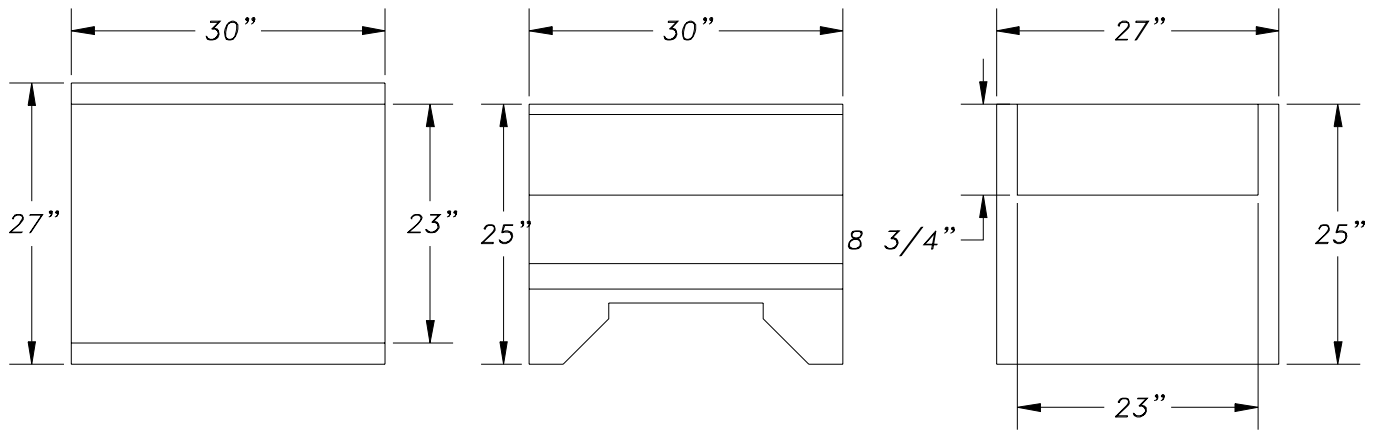
Equipped with thermostat, safety pilot and drain. Suitable for trailer mounting when mounting instructions are followed.

**Gold Medal Products Co.**

10700 Medallion Drive  
Cincinnati, Ohio 45241-4807  
E-Mail [goldme19@eos.net](mailto:goldme19@eos.net)  
Web Site [gmpopcorn.com](http://gmpopcorn.com)

Phone: (513) 769-7676  
(800) 543-0862  
Fax: (513) 769-8500  
Toll Free Fax (800) 542-1496

Model Number: 5099



Width: 30.00  
Length: 27.00  
Height: 25.00  
Weight:

Pkg Width:  
Pkg Length:  
Pkg Height:  
Pkg Weight: 150.00  
CU/FT: 0.00

Voltage: PROPANE  
AMPS: -  
Wattage:

Hertz: -  
Receptacle:  
Plug Type:

**Model Variations**

**Gold Medal Products Co.**

10700 Medallion Drive  
Cincinnati, Ohio 45241-4807  
E-Mail [goldme19@eos.net](mailto:goldme19@eos.net)  
Web Site [gmpopcorn.com](http://gmpopcorn.com)

Phone: (513) 769-7676  
(800) 543-0862  
Fax: (513) 769-8500  
Toll Free Fax (800) 542-1496