

Item No. _____

Model Number: 5581

Description

CHEESE DISPLAY CASE



The most deluxe with 96 cup capacity.

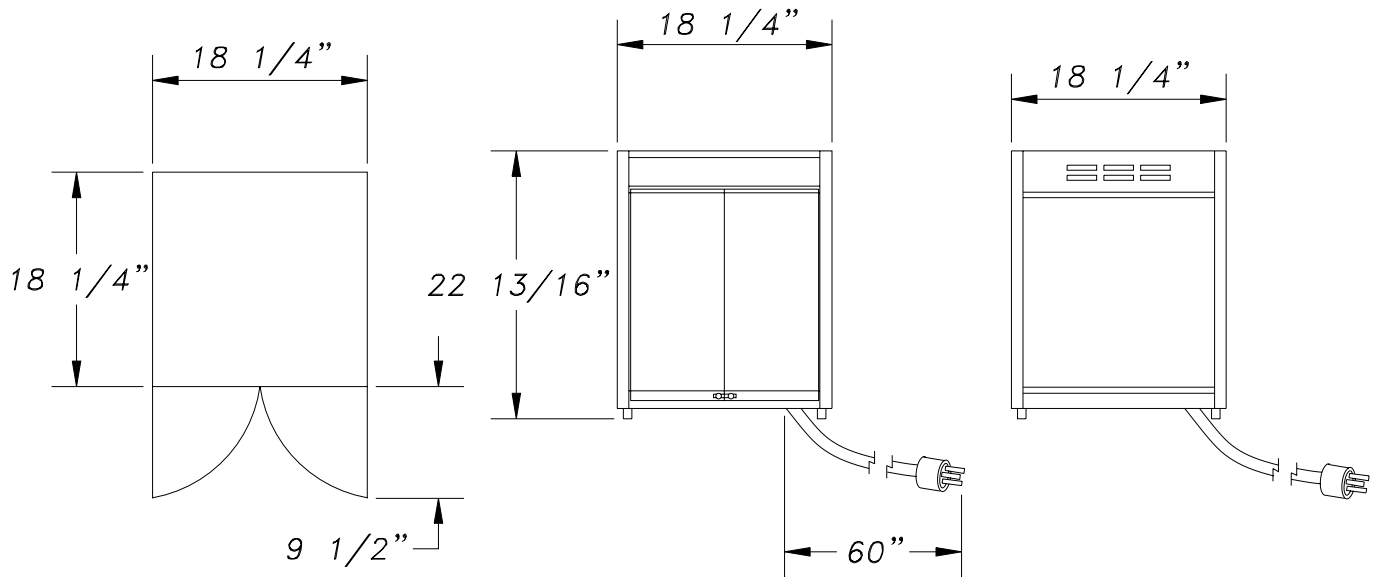
Often used for complete servings in trays as shown. 400 watt heater blower system provides faster warm-up than other units on the market.

Gold Medal Products Co.

10700 Medallion Drive
Cincinnati, Ohio 45241-4807
E-Mail goldme19@eos.net
Web Site gmpopcorn.com

Phone: (513) 769-7676
(800) 543-0862
Fax: (513) 769-8500
Toll Free Fax (800) 542-1496

Model Number: 5581



Width: 18.00
Length: 18.00
Height: 23.00
Weight: 27

Pkg Width: 21.00
Pkg Length: 21.00
Pkg Height: 25.00
Pkg Weight: 58.00
CU/FT: 6.38

Voltage: 120
AMPS: 4.5
Wattage: 540

Hertz: 60
Receptacle: 5-15R
Plug Type: 5-15P

Model Variations

Gold Medal Products Co.

10700 Medallion Drive
Cincinnati, Ohio 45241-4807
E-Mail goldme19@eos.net
Web Site gmpopcorn.com

Phone: (513) 769-7676
(800) 543-0862
Fax: (513) 769-8500
Toll Free Fax (800) 542-1496