



Profit from the Eagle Advantage®

Specification Sheet

Short Form Specifications

Eagle RedHots® Countertop Cooker/Warmer, model _____ . Highly polished exterior body, with deep drawn 304 stainless steel heat well. Thermostat control and "On" indicator light with temperature range of 100° to 450°F: 100° to 212°F in wet operation, 100° to 450°F in dry operation.



#1220CW2-120 cooker/warmer shown with optional food pan



#11QCW-120 cooker/warmer

Options / Accessories

- Rolltop cover
- Top adapters
- Round inset/lids
- Food pans/lids

EAGLE GROUP

100 Industrial Boulevard, Clayton, DE 19938-8903 USA
Phone: 302-653-3000 • Fax: 302-653-2065
www.eaglegrp.com

Foodservice Division: Phone 800-441-8440

MHC/Retail Display Divisions: Phone 800-637-5100

For custom configuration or fabrication needs, contact our SpecFAB® Division.

Phone: 302-653-3000 • Fax: 302-653-3091 • e-mail: specfab@eaglegrp.com

Item No.:	_____
Project No.:	_____
S.I.S. No.:	_____

RedHots® Countertop Cooker/Warmers

MODELS:

- | | | |
|--------------------------------------|------------------------------------|---------------------------------|
| <input type="checkbox"/> 1220CWD-120 | <input type="checkbox"/> 11QCW-208 | <input type="checkbox"/> 501913 |
| <input type="checkbox"/> 1220CWD-208 | <input type="checkbox"/> 11QCW-240 | <input type="checkbox"/> 501914 |
| <input type="checkbox"/> 1220CWD-240 | <input type="checkbox"/> 501600 | <input type="checkbox"/> 501915 |
| <input type="checkbox"/> 11QCW-120 | <input type="checkbox"/> 501912 | <input type="checkbox"/> 501585 |

Design and Construction Features

- 6' cord and 15-amp 125-volt plug (NEMA 5-15).
- Deep-drawn stainless steel heat well.
- "ON" indicator light.
- Thermostatic controls to assure proper temperature.
- Available in 120-, 208-, and 240-volt models.
- Single-phase, 60-cycle electricity.

Units with 12" x 20" Wells

- Heat well openings are 12" x 20" (305 x 508mm), deep-drawn out of type 304 series stainless steel, providing either wet or dry operation.
- All units feature 11" (279mm) height.

Units with Round Wells

- Round well accommodates an 11 qt. (10.4 liter) round inset.
- All units feature 10 3/4" (273mm) height.

Certifications / Approvals



Spec sheets available for viewing, printing or downloading from our online literature library at www.eaglegrp.com

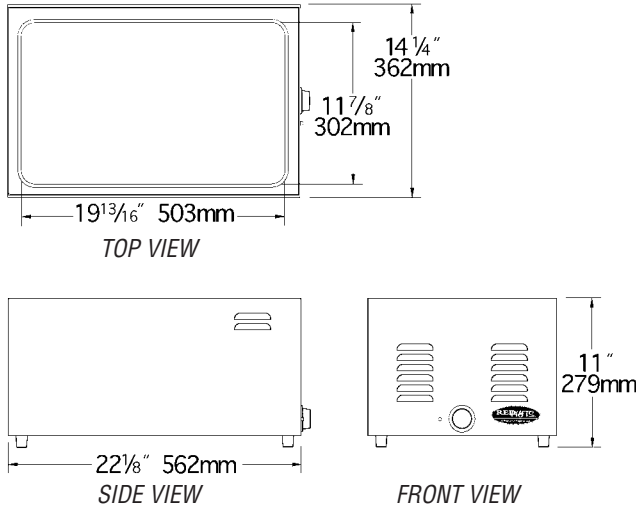


Profit from the Eagle Advantage®

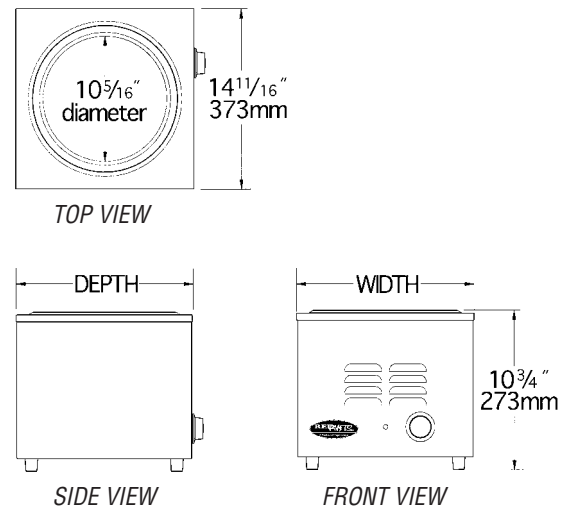
Item No.: _____
 Project No.: _____
 S.I.S. No.: _____

RedHots® Countertop Cooker/Warmers

Units with 12" x 20" (305 x 508mm) Well



Units with Round Well



Units with 12" x 20" (305 x 508mm) Wells

Features deep drawn type 304 stainless steel 12" x 20" (305 x 508mm) openings, providing wet or dry operation.

120-VOLT MODELS		208-VOLT MODELS		240-VOLT MODELS		width	depth	weight	# of			
model #	electrical data	model #	electrical data	model #	electrical data	in.	mm	lbs.	kg	wells		
1220CWD-120	120V, 10A, 1200W	1220CWD-208	208V, 5.8A, 1200W	1220CWD-240	240V, 5.0A, 1200W	14 1/4"	362	22 1/8"	562	26	11.8	1

Units with Round Well

These units hold one 11 qt. (10.4 liters) round inset. 10 1/4" (273mm) height.

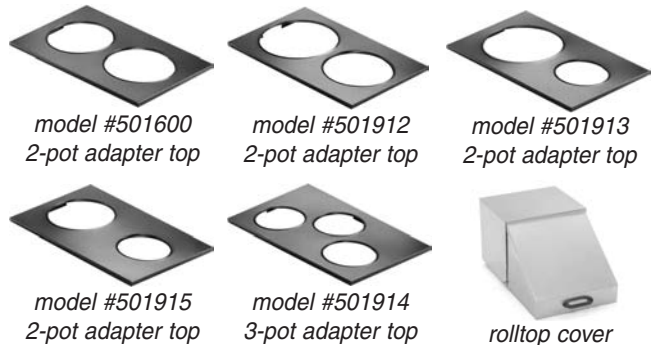
120-VOLT MODELS		208-VOLT MODELS		240-VOLT MODELS		width	depth	weight	capacity				
model #	electrical data	model #	electrical data	model #	electrical data	in.	mm	lbs.	kg	qts.	liters		
11QCW-120	120V, 6.3A, 750W	11QCW-208	208V, 2.7A, 562W	11QCW-240	240V, 3.1A, 750W	14 1/16"	373	16 1/16"	424	20	9.0	11	10.4

Accessories for RedHots® Countertop Food Warmers

For information on additional accessories, please consult our Foodservice Price List.

Adapter tops

model #	description
501600	two 8 1/2" (216mm) diameter inserts, each for 7 qts. (6.6 liters)
501912	one 8 1/2" (216mm) diameter insert for 7 qts (6.6 liters), and one 10 1/2" (267mm) diameter insert for 11 qts. (10.4 liters)
501913	one 6 1/2" (165mm) diameter insert for 4 qts (3.8 liters), and one 10 1/2" (267mm) diameter insert for 11 qts. (10.4 liters)
501915	one 6 1/2" (165mm) diameter insert for 4 qts (3.8 liters), and one 8 1/2" (216mm) diameter insert for 7 qts (6.6 liters)
501914	three 6 1/2" (165mm) diameter inserts, each for 4 qts (3.8 liters)



Rolltop cover

model #	description
501585	13 1/4" width x 20 1/4" length x 11 1/4" height (349 x 527 x 299mm), fits 12" x 20" (305 x 508mm) opening

EAGLE GROUP
 100 Industrial Boulevard, Clayton, DE 19938-8903 USA
 Phone: 302-653-3000 • Fax: 302-653-2065
 www.eaglegrp.com

Foodservice Division: Phone 800-441-8440
 MHC/Retail Display Divisions: Phone 800-637-5100

Printed in U.S.A.
 ©2009 by Eagle Group
 Rev. 12/09

Spec sheets available for viewing, printing or downloading from our online literature library at www.eaglegrp.com

Although every attempt has been made to ensure the accuracy of the information provided, we cannot be held responsible for typographical or printing errors. Information and specifications are subject to change without notice. Please confirm at time of order.