



Profit from the Eagle Advantage®

Specification Sheet

Short Form Specifications

Eagle Two-Compartment Utility Sinks, model _____ . Constructed of type 304 or 430 stainless steel with square corners, Euro-Style edging on front, and 8" backsplash. All partitions have 5/8" rolled top edge. Faucet holes punched on 8" centers. All outside corners to be bullnosed for clean, safe edges. 1 1/2" O.D. galvanized tubular legs with adjustable bullet feet.



two-compartment utility sink

Options / Accessories

- Faucets
- Detachable drainboard *
- Lever waste
- Lever waste with overflow
- Stainless steel legs
- Stainless steel feet

* See Spec Sheet #EG20.13E for optional detachable drainboards.

Design and Construction Features:

- For numerous applications when NSF approval is not required (For NSF-approved utility sinks, add prefix "N-" to model number. Example: N-2460-2-16/3)
- Entire assembly is fused, welded and planished, providing a one-piece seamless sink unit.
- Welded areas are high-speed belt blended to match adjacent surfaces with continuity of satin finish.
- 34 1/2" to 35 1/2" (876 to 902mm) working height.
- Water supply is 1/2" (13mm) IPS for hot and cold lines.

EAGLE GROUP

100 Industrial Boulevard, Clayton, DE 19938-8903 USA

Phone: 302-653-3000 • Fax: 302-653-2065

www.eaglegrp.com

Foodservice Division: Phone 800-441-8440

MHC/Retail Display Divisions: Phone 800-637-5100

For custom configuration or fabrication needs, contact our SpecFAB® Division.

Phone: 302-653-3000 • Fax: 302-653-3091 • e-mail: specfab@eaglegrp.com

Item No.: _____
 Project No.: _____
 S.I.S. No.: _____

Two-Compartment Utility Sinks with Square Corner Construction

MODELS:

- 1836-2-16/4
- 1836-2-16/3
- 1848-2-16/4
- 1848-2-16/3
- 2136-2-16/4
- 2136-2-16/3
- 2148-2-16/4
- 2148-2-16/3
- 2448-2-16/4
- 2448-2-16/3
- 2460-2-16/4
- 2460-2-16/3
- 2136-2-18-16/4
- 2136-2-18-16/3
- 2448-2-24-16/4
- 2448-2-24-16/3

Top:

- All partitions have euro-style front edge.
- Available with detachable* or welded drainboards.
- 8" (203mm) splash features 2" (51mm) return to wall on 45° angle, with 1" (25mm) upturn.
- 1 1/8" (29mm) faucet holes punched on 8" (203mm) centers.

Legs:

- 1 1/2" (41mm)-diameter heavy-gauge galvanized tubing.
- High-impact corrosion-resistant 1" (25mm) adjustable bullet feet.
- Leg locations fall directly under sink bowls, providing increased stability and maximum weight support.

Sink Bowls:

- 16 gauge type 304 or 430 stainless steel.
- 13 1/4" (337mm)-deep compartments.
- 12-gauge leg gussets welded to a die-cut heavy-gauge reinforcing plate underneath sink bowls.
- Drain holes are 3 1/2" (89mm)-diameter, recessed, and complete with 1 1/2" (38mm) IPS basket-type waste drains, which is shipped loose.



EG20.13B Rev. 06/09

Spec sheets available for viewing, printing or downloading from our online literature library at www.eaglegrp.com

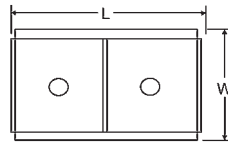
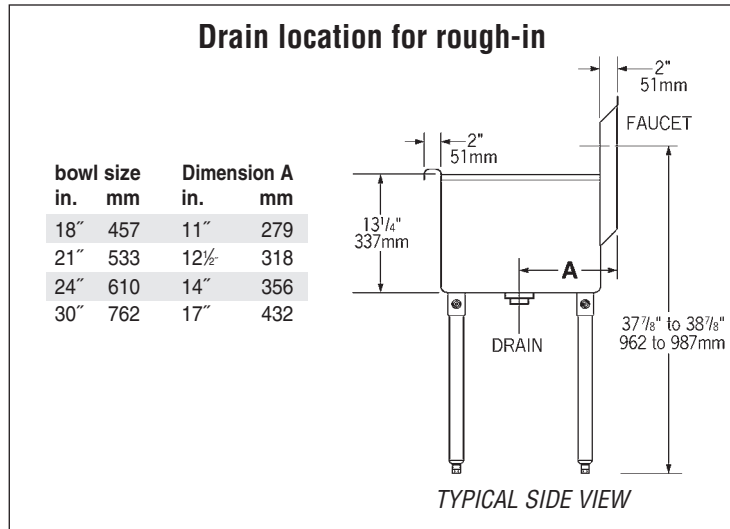
Eagle Foodservice Equipment, Eagle MHC, SpecFAB®, and Retail Display are divisions of Eagle Group. ©2009 by the Eagle Group

KaTom Restaurant Supply, Inc.



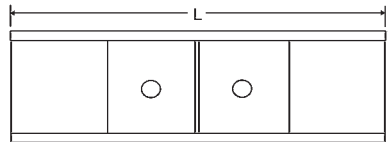
Item No.: _____
 Project No.: _____
 S.I.S. No.: _____

Two-Compartment Utility Sinks with Square Corner Construction



Sinks with No Drainboards

| 16 gauge type 430 stainless steel model # | 16 gauge type 304 stainless steel model # | BOWL DIMENSIONS | | | | DRAINBOARD | | OVERALL DIMENSIONS | | | | weight | | | |
|---|---|-----------------|--------|-------|--------|------------|--------|--------------------|--------|-------|--------|--------|------|--|--|
| | | width | length | width | length | quantity | length | width | length | width | length | lbs. | kg | | |
| in. | mm | in. | mm | in. | mm | in. | mm | in. | mm | in. | mm | in. | mm | | |
| 1836-2-16/4 | 1836-2-16/3 | 18" | 457 | 18" | 457 | 0 | n/a | 22" | 559 | 37" | 991 | 75 | 34.0 | | |
| 1848-2-16/4 | 1848-2-16/3 | 18" | 457 | 24" | 610 | 0 | n/a | 22" | 559 | 49" | 1295 | 80 | 36.3 | | |
| 2136-2-16/4 | 2136-2-16/3 | 21" | 533 | 18" | 457 | 0 | n/a | 25" | 635 | 37" | 991 | 80 | 36.3 | | |
| 2148-2-16/4 | 2148-2-16/3 | 21" | 533 | 24" | 610 | 0 | n/a | 25" | 635 | 49" | 1295 | 85 | 38.6 | | |
| 2448-2-16/4 | 2448-2-16/3 | 24" | 610 | 24" | 610 | 0 | n/a | 28" | 711 | 49" | 1295 | 89 | 40.4 | | |
| 2460-2-16/4 | 2460-2-16/3 | 24" | 610 | 30" | 762 | 0 | n/a | 28" | 711 | 61" | 1600 | 95 | 43.1 | | |



Sinks with Double Drainboards

| 16 gauge type 430 stainless steel model # | 16 gauge type 304 stainless steel model # | BOWL DIMENSIONS | | | | DRAINBOARD | | OVERALL DIMENSIONS | | | | weight | | | |
|---|---|-----------------|--------|-------|--------|------------|--------|--------------------|--------|-------|--------|--------|-----|------|--|
| | | width | length | width | length | quantity | length | width | length | width | length | lbs. | kg | | |
| in. | mm | in. | mm | in. | mm | in. | mm | in. | mm | in. | mm | in. | mm | | |
| 2136-2-18-16/4 | 2136-2-18-16/3 | 21" | 533 | 18" | 457 | 2 | 18" | 457 | 25" | 635 | 72¼" | 1905 | 120 | 54.4 | |
| 2448-2-24-16/4 | 2448-2-24-16/3 | 24" | 610 | 24" | 610 | 2 | 24" | 610 | 28" | 711 | 96¼" | 2515 | 139 | 63.1 | |

EAGLE GROUP
 100 Industrial Boulevard, Clayton, DE 19938-8903 USA
 Phone: 302-653-3000 • Fax: 302-653-2065
 www.eaglegrp.com

Foodservice Division: Phone 800-441-8440
 MHC/Retail Display Divisions: Phone 800-637-5100

Printed in U.S.A.
 ©2009 by Eagle Group
 Rev. 06/09

Spec sheets available for viewing, printing or downloading from our online literature library at www.eaglegrp.com

Although every attempt has been made to ensure the accuracy of the information provided, we cannot be held responsible for typographical or printing errors. Information and specifications are subject to change without notice. Please confirm at time of order.