



Profit from the Eagle Advantage®

Specification Sheet

Short Form Specifications

Eagle One-Compartment Utility Sinks, model _____ . Constructed of type 304 or 430 stainless steel with square corners, Euro-Style edging on front, and 8" backsplash. All partitions have 5/8" rolled top edge. Faucet holes punched on 8" centers. All outside corners to be bullnosed for clean, safe edges. 1 1/2" O.D. galvanized tubular legs with adjustable bullet feet.



one-compartment utility sink

Options / Accessories

- Faucets
- Detachable drainboard *
- Lever waste
- Lever waste with overflow
- Stainless steel legs
- Stainless steel feet

* See Spec Sheet #EG20.13E for optional detachable drainboards.

Design and Construction Features:

- For numerous applications when NSF approval is not required (For NSF-approved utility sinks, add prefix "N-" to model number. Example: N-2424-1-16/3)
- Entire assembly is fused, welded and planished, providing a one-piece seamless sink unit.
- Welded areas are high-speed belt blended to match adjacent surfaces with continuity of satin finish.
- 34 1/2" to 35 1/2" (876 to 902mm) working height.
- Water supply is 1/2" (13mm) IPS for hot and cold lines.

EAGLE GROUP

100 Industrial Boulevard, Clayton, DE 19938-8903 USA

Phone: 302-653-3000 • Fax: 302-653-2065

www.eaglegrp.com

Foodservice Division: Phone 800-441-8440

MHC/Retail Display Divisions: Phone 800-637-5100

For custom configuration or fabrication needs, contact our SpecFAB® Division.

Phone: 302-653-3000 • Fax: 302-653-3091 • e-mail: specfab@eaglegrp.com

Item No.: _____
 Project No.: _____
 S.I.S. No.: _____

One-Compartment Utility Sinks with Square Corner Construction

MODELS:

- 1818-1-16/4
- 1818-1-16/3
- 1824-1-16/4
- 1824-1-16/3
- 2118-1-16/4
- 2118-1-16/3
- 2124-1-16/4
- 2124-1-16/3
- 2136-1-16/4
- 2136-1-16/3
- 2424-1-16/4
- 2424-1-16/3
- 2424-1-18-16/4
- 2424-1-18-16/3
- 2424-1-24-16/4
- 2424-1-24-16/3

Top:

- All partitions have euro-style front edge.
- Available with detachable* or welded drainboards.
- 8" (203mm) splash features 2" (51mm) return to wall on 45° angle, with 1" (25mm) upturn.
- 1 1/8" (29mm) faucet holes punched on 8" (203mm) centers.

Legs:

- 1 1/2" (41mm)-diameter heavy-gauge galvanized tubing.
- High-impact corrosion-resistant 1" (25mm) adjustable bullet feet.
- Leg locations fall directly under sink bowl, providing increased stability and maximum weight support.

Sink Bowl:

- 16 gauge type 304 or 430 stainless steel.
- 13 1/4" (337mm)-deep compartment.
- 12-gauge leg gussets welded to a die-cut heavy-gauge reinforcing plate underneath sink bowl.
- Drain hole is 3 1/2" (89mm)-diameter, recessed, and complete with 1 1/2" (38mm) IPS basket-type waste drain, which is shipped loose.



EG20.13A Rev. 06/09

Spec sheets available for viewing, printing or downloading from our online literature library at www.eaglegrp.com

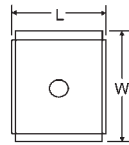
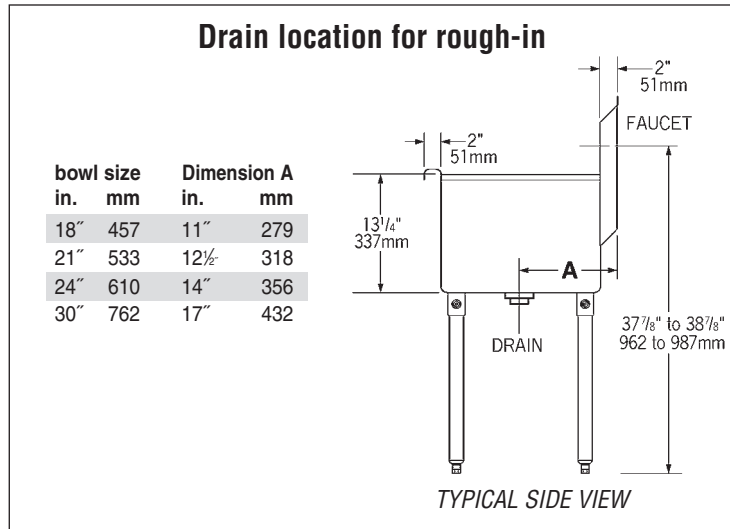
Eagle Foodservice Equipment, Eagle MHC, SpecFAB®, and Retail Display are divisions of Eagle Group. ©2009 by the Eagle Group

KaTom Restaurant Supply, Inc.



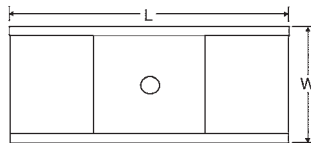
Item No.: _____
 Project No.: _____
 S.I.S. No.: _____

One-Compartment Utility Sinks with Square Corner Construction



Sinks with No Drainboards

16 gauge type 430 stainless steel model #	16 gauge type 304 stainless steel model #	BOWL DIMENSIONS				DRAINBOARD		OVERALL DIMENSIONS				weight	
		width	length	width	length	quantity	length	width	length	width	length	lbs.	kg
in.	mm	in.	mm	in.	mm	in.	mm	in.	mm	in.	mm		
1818-1-16/4	1818-1-16/3	18"	457	18"	457	0	n/a	22"	559	19 3/4"	492	53	24.0
1824-1-16/4	1824-1-16/3	18"	457	24"	610	0	n/a	22"	559	25 3/4"	645	56	25.4
2118-1-16/4	2118-1-16/3	21"	533	18"	457	0	n/a	25"	635	19 3/4"	492	56	25.4
2124-1-16/4	2124-1-16/3	21"	533	24"	610	0	n/a	25"	635	25 3/4"	645	59	26.8
2136-1-16/4	2136-1-16/3	21"	533	36"	914	0	n/a	25"	635	37 3/4"	949	65	29.5
2424-1-16/4	2424-1-16/3	24"	610	24"	610	0	n/a	28"	711	25 3/4"	645	60	27.2
2436-1-16/4	2436-1-16/3	24"	610	36"	914	0	n/a	28"	711	37 3/4"	949	68	30.8



Sinks with Double Drainboards

16 gauge type 430 stainless steel model #	16 gauge type 304 stainless steel model #	BOWL DIMENSIONS				DRAINBOARD		OVERALL DIMENSIONS				weight		
		width	length	width	length	quantity	length	width	length	width	length	lbs.	kg	
in.	mm	in.	mm	in.	mm	in.	mm	in.	mm	in.	mm			
2124-1-18-16/4	2124-1-18-16/3	21"	533	24"	610	2	18"	457	25"	635	60 1/4"	1530	99	44.9
2424-1-24-16/4	2424-1-24-16/3	24"	610	24"	610	2	24"	610	28"	711	72 1/4"	1835	108	49.0

EAGLE GROUP
 100 Industrial Boulevard, Clayton, DE 19938-8903 USA
 Phone: 302-653-3000 • Fax: 302-653-2065
 www.eaglegrp.com

Foodservice Division: Phone 800-441-8440
 MHC/Retail Display Divisions: Phone 800-637-5100

Printed in U.S.A.
 ©2009 by Eagle Group
 Rev. 06/09

Spec sheets available for viewing, printing or downloading from our online literature library at www.eaglegrp.com

Although every attempt has been made to ensure the accuracy of the information provided, we cannot be held responsible for typographical or printing errors. Information and specifications are subject to change without notice. Please confirm at time of order.