



Profit from the Eagle Advantage®

Specification Sheet

Item No.:	_____
Project No.:	_____
S.I.S. No.:	_____

Catalog Specification Sheet No. **EG40.55**

Underbar Modifications for 1800 and 2200 Series

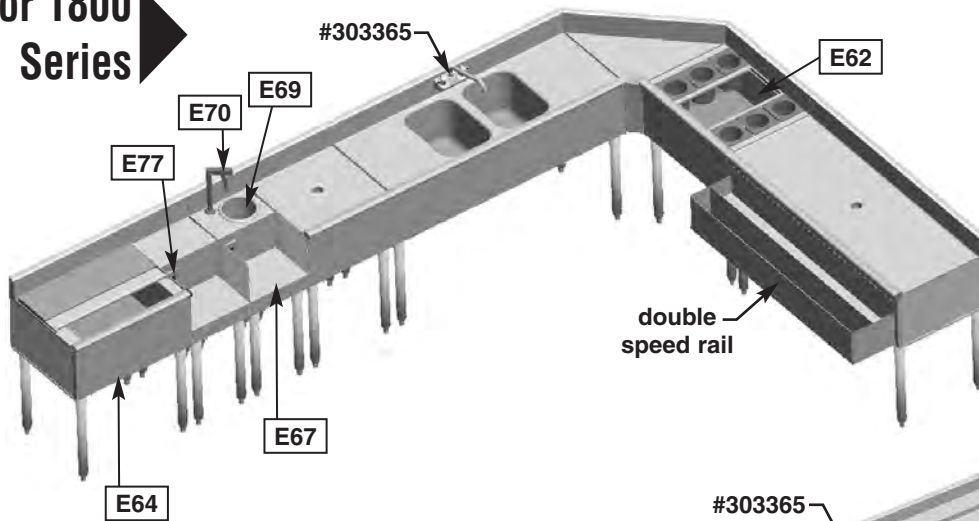
Underbar Modifications for 1800 and 2200 Series

MODELS:

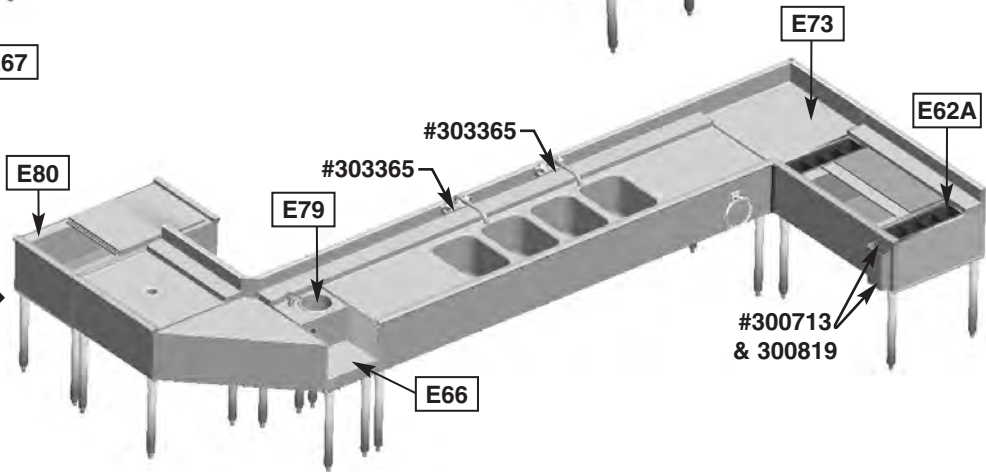
- | | | | |
|-------------------------------|-------------------------------|---------------------------------|---------------------------------|
| <input type="checkbox"/> E60 | <input type="checkbox"/> E66A | <input type="checkbox"/> E76 | <input type="checkbox"/> 300491 |
| <input type="checkbox"/> E61 | <input type="checkbox"/> E67 | <input type="checkbox"/> E77 | <input type="checkbox"/> 300670 |
| <input type="checkbox"/> E61A | <input type="checkbox"/> E68 | <input type="checkbox"/> E78 | <input type="checkbox"/> 300712 |
| <input type="checkbox"/> E61B | <input type="checkbox"/> E69 | <input type="checkbox"/> E79 | <input type="checkbox"/> 300713 |
| <input type="checkbox"/> E62 | <input type="checkbox"/> E70 | <input type="checkbox"/> E80 | <input type="checkbox"/> 300819 |
| <input type="checkbox"/> E62A | <input type="checkbox"/> E71 | <input type="checkbox"/> E80A | <input type="checkbox"/> 300805 |
| <input type="checkbox"/> E63 | <input type="checkbox"/> E72 | <input type="checkbox"/> E81 | <input type="checkbox"/> 303365 |
| <input type="checkbox"/> E64 | <input type="checkbox"/> E73 | <input type="checkbox"/> E83 | <input type="checkbox"/> 326636 |
| <input type="checkbox"/> E65 | <input type="checkbox"/> E74 | <input type="checkbox"/> 300293 | <input type="checkbox"/> 359032 |
| <input type="checkbox"/> E66 | <input type="checkbox"/> E75 | <input type="checkbox"/> 300325 | |

Refer to charts on back page for descriptions.

For 1800 Series



For 2200 Series



EAGLE GROUP
 100 Industrial Boulevard, Clayton, DE 19938-8903 USA
 Phone: 302-653-3000 • Fax: 302-653-2065
 www.eaglegrp.com

Foodservice Division: Phone 800-441-8440
 MHC/Retail Display Divisions: Phone 800-637-5100

For custom configuration or fabrication needs, contact our **SpecFAB®** Division.
 Phone: 302-653-3000 • Fax: 302-653-3091 • e-mail: specfab@eaglegrp.com



EG40.55 Rev. 05/10

Spec sheets available for viewing, printing or downloading from our online literature library at www.eaglegrp.com

Eagle Foodservice Equipment, Eagle MHC, SpecFAB®, and Retail Display are divisions of Eagle Group. ©2010 by the Eagle Group

KaTom Restaurant Supply, Inc.



Profit from the Eagle Advantage®

Item No.: _____
 Project No.: _____
 S.I.S. No.: _____

Underbar Modifications for 1800 and 2200 Series

Modifications

model # description

SINKS:

E61	Hand sink 10" x 14" x 5" w/drain & faucet
E61A	Sink bowl 10" x 14" x 9½" w/drain, faucet & overflow
E61B	Sink bowl 12" x 14" x 9½" w/drain, faucet & overflow

COCKTAIL UNITS 15½" x 19¾" BOWLS:

E62	24" unit, 6-bottle wells, inside liner, no cover
E62A	36" unit, 8-bottle wells, outside liner, sliding s/s cover
E63	Ice chest 15½" x 19¾" x 8" deep
E64	Ice chest w/sliding s/s cover, 15½" x 19¾" x 8"-deep
E65	Higher backsplash, up to 9" high, per linear foot

BLENDER STEP UNIT W/LIQUID WASTE CHUTE, FAUCET, AND ELECTRICAL OUTLET:

E66	12"-wide single station
E66A	14"-wide double station

PASS-THRU ICE CHESTS:

E80	18" x 36" x 8"
E80A	24" x 36" x 8"

model # description

PASS-THRU ICE CHESTS (continued):

E81	Stainless steel leg, individual
E83	NSF sprayed-on latex sound deadening, up to 12' (3658mm) length

MISCELLANEOUS:

E60	Workboards (minimum 48")
E67	Blender recess 12"-wide with electrical GFCI outlets
E68	Open waste chute installed
E69	Liquid waste chute installed
E70	Glass filler
E71	Cutout in back (2200 Series only)
E72	End splash per end
E73	"L" shape corner welded per corner (except sink bowls)
E74	Pass-thru
E75	Blender shelf 12" wide, removable hook-on type
E76	Divider for ice chest (removable), installed at factory
E77	Duplex GFCI receptacle, installed
E78	Glass rack storage, holds (2) 20" x 20" racks
E79	Continuous water waste

Options and Accessories*

model # description

*	Double speed rails
**	Modular Angle Fillers and Corner Drainboards — front and rear sections
300293	Plastic bullet foot
300325	Rack for round bottle wells
300491	Bottle holder, individual
300670	Sliding s/s ice cover for 15½" x 19¾" bowl (non-NSF)
300712	Towel bar, 24"-long, stainless steel - shipped loose

model # description

300713	Bottle opener
300819	Cap catcher (not attached)
300805	Bottle holder trays (not installed) hold 4 bottles ea.
303365	Faucet - 10" spout, splash mount
326636	Poly cutting board 15" x 15" x ½" (not attached) poly-plastic
359032	Post-mix cold plate for 15½" x 19¾" bowl, 7-circuit, sealed-in (NSF)

* See Spec Sheet #EG40.56 for other Underbar Accessories and Replacements.

** See Spec Sheets #EG40.57 for 1800 Series and #EG40.58 for 2200 Series Modular Angle Fillers and Corner Drainboards.

EAGLE GROUP

100 Industrial Boulevard, Clayton, DE 19938-8903 USA

Phone: 302-653-3000 • Fax: 302-653-2065

www.eaglegrp.com

Foodservice Division: Phone 800-441-8440

MHC/Retail Display Divisions: Phone 800-637-5100

Printed in U.S.A.
 ©2010 by Eagle Group

Rev. 05/10

Spec sheets available for viewing, printing or downloading from our online literature library at www.eaglegrp.com

Although every attempt has been made to ensure the accuracy of the information provided, we cannot be held responsible for typographical or printing errors. Information and specifications are subject to change without notice. Please confirm at time of order.

KaTom Restaurant Supply, Inc.