



Profit from the Eagle Advantage®

Specification Sheet

Short Form Specifications

Eagle 2200 Series Cocktail Unit, model _____. Top, front, backsplash and ice bin to be heavy gauge type 304 stainless steel. Fabricated ice bin is fully insulated, with 1½" drain and plastic bottle holders. 1½" O.D. galvanized tubular legs with adjustable bullet feet.

Eagle 2200 Series Cocktail Unit with Sealed-In Cold Plate, model _____. Top, front, backsplash and ice bin to be heavy gauge type 304 stainless steel. Fabricated ice bin is fully insulated, with sealed-in 7-circuit cold plate and 1½" drain. 1½" O.D. galvanized tubular legs with adjustable bullet feet.



model #B2CT-22 cocktail unit

Options / Accessories

Stainless steel leg kits (see below)

| Optional Stainless Steel Leg Kits for Cocktail Units | |
|--|--|
| add suffix # | description |
| -SL | stainless steel leg assemblies |
| -SLF | stainless steel leg assemblies & stainless steel feet |
| -SLG | stainless steel leg assemblies & stainless steel gussets |
| -SLGF | stainless steel leg assemblies, stainless steel feet & gussets |

EAGLE GROUP
 100 Industrial Boulevard, Clayton, DE 19938-8903 USA
 Phone: 302-653-3000 • Fax: 302-653-2065
 www.eaglegrp.com

Foodservice Division: Phone 800-441-8440
MHC/Retail Display Divisions: Phone 800-637-5100

For custom configuration or fabrication needs, contact our **SpecFAB® Division**.
 Phone: 302-653-3000 • Fax: 302-653-3091 • e-mail: specfab@eaglegrp.com

Item No.: _____
 Project No.: _____
 S.I.S. No.: _____

2200 Series Cocktail Units

MODELS:

- | | | |
|--|--|---|
| <input type="checkbox"/> B2CT-22 | <input type="checkbox"/> B3CT-22 | <input type="checkbox"/> B40CT-22 |
| <input type="checkbox"/> B2CT-22-7 | <input type="checkbox"/> B3CT-22-7 | <input type="checkbox"/> B40CT-22-7 |
| <input type="checkbox"/> B2CT-12D-22 | <input type="checkbox"/> B3CT-12D-22 | <input type="checkbox"/> B40CT-12D-22 |
| <input type="checkbox"/> B2CT-12D-22-7 | <input type="checkbox"/> B3CT-12D-22-7 | <input type="checkbox"/> B40CT-12D-22-7 |
| <input type="checkbox"/> B2CT-16D-22 | <input type="checkbox"/> B3CT-16D-22 | <input type="checkbox"/> B40CT-16D-22 |
| <input type="checkbox"/> B2CT-16D-22-7 | <input type="checkbox"/> B3CT-16D-22-7 | <input type="checkbox"/> B40CT-16D-22-7 |

Design and Construction Features

- New bullnose front edge.
- All units are modular, allowing for custom configurations using standard components.
- Type 304 stainless steel body (front and ends).
- Insulated fabricated ice bins.
- Ice bins are 8", 12", or 16" deep (203, 305, or 406mm) .
- Bottom and back panels are galvanized steel construction.
- Six-bottle capacity on B2CT models;
Eight-bottle capacity on B3CT and B40 models.
- 1½" (38mm) NPT drain.
- B3 and B40 models are NSF-approved.
- Post-mix cold plates: aluminum casting with seven stainless steel beverage grade tubing circuits. Post-mix cold plates are mounted flush with interior bottom of bowl for easy cleaning and maximum efficiency. Drain is ½" (13mm) NPT and located in center of post-mix cold plate. ¼" (6mm) O.D. tubing beverage connection provided. Foam insulation provides support for cold plates.
- Front-to-back is 24" (610mm).

Certifications / Approvals



AUTOQUOTES

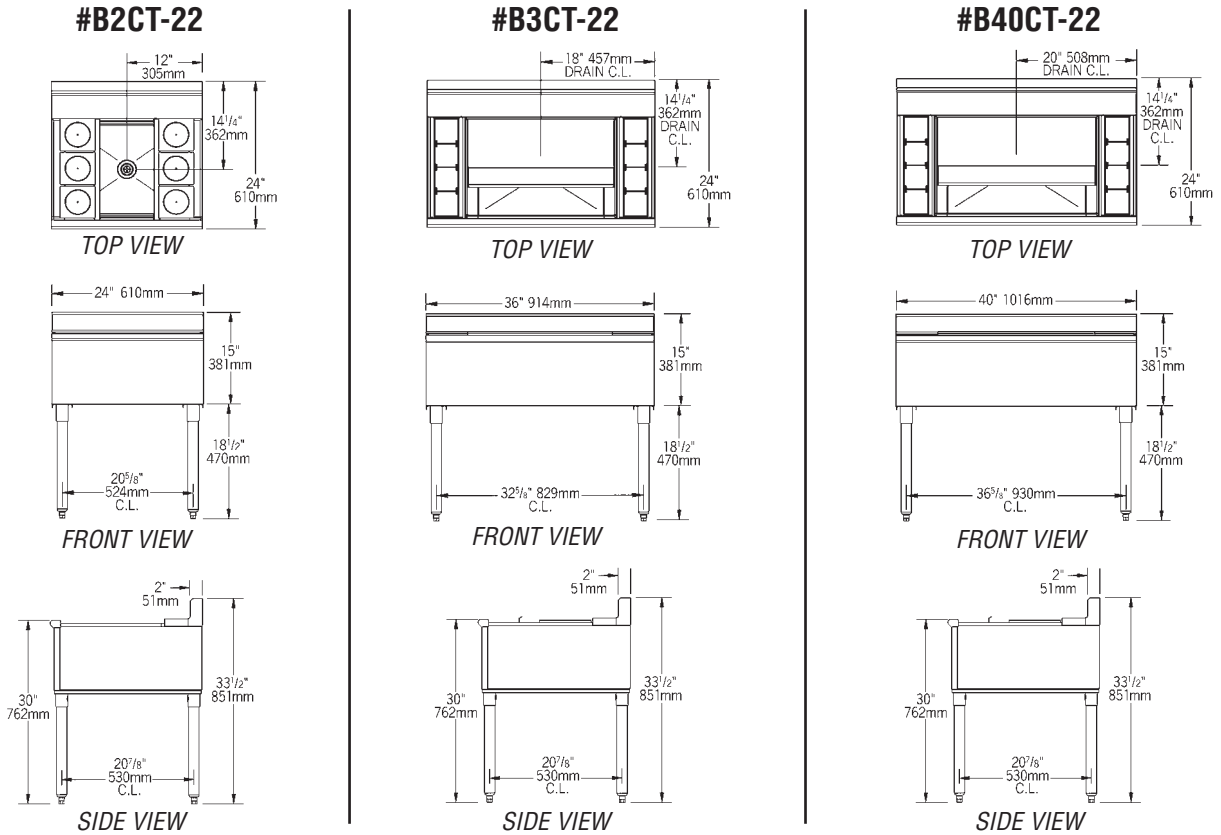


Spec sheets available for viewing, printing or downloading from our online literature library at www.eaglegrp.com



Item No.: _____
 Project No.: _____
 S.I.S. No.: _____

2200 Series Cocktail Units



| Units without Cold Plate | | | Units with Post-Mix Cold Plate* | | | width | | length | | ice bin depth | | ice capacity | |
|--------------------------|---------------------------|------|---------------------------------|---------------------------|------|-------|-----|--------|------|---------------|-----|--------------|------|
| model # | shipping weight * lbs. | kg | model # | shipping weight * lbs. | kg | in. | mm | in. | mm | in. | mm | lbs. | kg |
| B2CT-22 | 56 | 25.4 | B2CT-22-7 | 133 | 60.3 | 24" | 610 | 24" | 610 | 8" | 203 | 63 | 28.6 |
| B2CT-12D-22 | 59 | 26.8 | B2CT-12D-22-7 | 137 | 62.1 | 24" | 610 | 24" | 610 | 12" | 305 | 94 | 42.6 |
| B2CT-16D-22 | 61 | 27.7 | B2CT-16D-22-7 | 141 | 64.0 | 24" | 610 | 24" | 610 | 16" | 406 | 125 | 56.7 |
| B3CT-22** | 71 | 32.2 | B3CT-22-7** | 153 | 69.4 | 24" | 610 | 36" | 914 | 8" | 203 | 63 | 28.6 |
| B3CT-12D-22** | 75 | 34.0 | B3CT-12D-22-7** | 159 | 72.1 | 24" | 610 | 36" | 914 | 12" | 305 | 94 | 42.6 |
| B3CT-16D-22** | 78 | 35.4 | B3CT-16D-22-7** | 163 | 73.9 | 24" | 610 | 36" | 914 | 16" | 406 | 125 | 56.7 |
| B40CT-22** | 88 | 39.9 | B40CT-22-7** | 173 | 78.3 | 24" | 610 | 40" | 1016 | 8" | 203 | 74 | 33.6 |
| B40CT-12D-22** | 92 | 41.7 | B40CT-12D-22-7** | 177 | 80.3 | 24" | 610 | 40" | 1016 | 12" | 305 | 110 | 49.9 |
| B40CT-16D-22** | 95 | 43.1 | B40CT-16D-22-7** | 181 | 82.1 | 24" | 610 | 40" | 1016 | 16" | 406 | 146 | 66.2 |

* Units with cold plate shipped wooden-crated.
 ** Includes stainless steel sliding cover.

EAGLE GROUP
 100 Industrial Boulevard, Clayton, DE 19938-8903 USA
 Phone: 302-653-3000 • Fax: 302-653-2065
 www.eaglegrp.com

Foodservice Division: Phone 800-441-8440
 MHC/Retail Display Divisions: Phone 800-637-5100

Printed in U.S.A.
 ©2011 by Eagle Group
 Rev. 08/11

Spec sheets available for viewing, printing or downloading from our online literature library at www.eaglegrp.com

Although every attempt has been made to ensure the accuracy of the information provided, we cannot be held responsible for typographical or printing errors. Information and specifications are subject to change without notice. Please confirm at time of order.