



Profit from the Eagle Advantage®

Specification Sheet

Short Form Specifications

Eagle Spec-Bar® Three Compartment Bar sink, model _____. Heavy gauge type 304 stainless steel sink bowls, body, legs, leg channels and cross rails. Three 10" x 14" x 9 1/2"-deep stainless steel drawn sink bowls with drains and standpipe overflows. Stainless steel drainboards feature independent drains and removable perforated stainless steel inserts. T&S splash mounted faucet. Stainless steel adjustable bullet feet.



3-compartment sink with optional speed rail

Options / Accessories

- Speed rail
- Scrap basket

EAGLE GROUP
100 Industrial Boulevard, Clayton, DE 19938-8903 USA
Phone: 302-653-3000 • Fax: 302-653-2065
www.eaglegrp.com

Foodservice Division: Phone 800-441-8440
MHC/Retail Display Divisions: Phone 800-637-5100

For custom configuration or fabrication needs, contact our **SpecFAB® Division**.
Phone: 302-653-3000 • Fax: 302-653-3091 • e-mail: specfab@eaglegrp.com

Spec sheets available for viewing, printing or downloading from our online literature library at www.eaglegrp.com

Eagle Foodservice Equipment, Eagle MHC, SpecFAB®, and Retail Display are divisions of Eagle Group. ©2011 by the Eagle Group

KaTom Restaurant Supply, Inc.

Item No.:	_____
Project No.:	_____
S.I.S. No.:	_____

Spec-Bar® Three-Compartment Sinks

MODELS:

- | | | |
|------------------------------------|--------------------------------------|-------------------------------------|
| <input type="checkbox"/> B3-3-19 | <input type="checkbox"/> B5-3-R-24 | <input type="checkbox"/> B6-3-R-19 |
| <input type="checkbox"/> B3-3-24 | <input type="checkbox"/> B5-3-LR-19 | <input type="checkbox"/> B6-3-R-24 |
| <input type="checkbox"/> B4-3-L-19 | <input type="checkbox"/> B5-3-LR-24 | <input type="checkbox"/> B6-3-LR-19 |
| <input type="checkbox"/> B4-3-L-24 | <input type="checkbox"/> B5.5-3-L-19 | <input type="checkbox"/> B6-3-LR-24 |
| <input type="checkbox"/> B4-3-R-19 | <input type="checkbox"/> B5.5-3-L-24 | <input type="checkbox"/> B7-3-LR-19 |
| <input type="checkbox"/> B4-3-R-24 | <input type="checkbox"/> B5.5-3-R-19 | <input type="checkbox"/> B7-3-LR-24 |
| <input type="checkbox"/> B5-3-L-19 | <input type="checkbox"/> B5.5-3-R-24 | <input type="checkbox"/> B8-3-LR-19 |
| <input type="checkbox"/> B5-3-L-24 | <input type="checkbox"/> B6-3-L-19 | <input type="checkbox"/> B8-3-LR-24 |
| <input type="checkbox"/> B5-3-R-19 | <input type="checkbox"/> B6-3-L-24 | |

Design and Construction Features

- Body, legs and crossbracing constructed of type 304 stainless steel for strength and corrosion resistance.
- Backsplash, sides, bottom, front panel, drain pans, perforated inserts and bowls are constructed of 20 gauge stainless steel. Leg channels, legs and crossbracing are 16 gauge stainless steel.
- Legs are 1 1/2" (41mm) diameter type 304 stainless steel with stainless steel bullet feet.
- Sink compartments are 10" x 14" x 9 1/2" (254 x 356 x 241mm) with T&S hot and cold water faucet.
- 19" (483mm) units feature faucet with 12" (305mm) spout; 24" (610mm) units feature double-hinged faucet.
- All faucets are backsplash mounted T&S, on 4" (102mm) centers and 1/2" (13mm) NPT inlet. Hot and cold water connections required.
- All models feature a backsplash mounted double-hinged T&S faucet.
- Stainless steel workboard on one or both sides with independent drain.
- Workboards feature removable perforated stainless steel insert.
- Drains are 1 1/2" (38mm) I.P.S. threaded with nut and washer.

Certifications / Approvals



AUTOQUOTES



EG40.38 Rev. 04/11

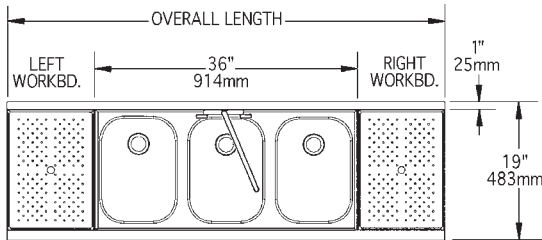


Profit from the Eagle Advantage®

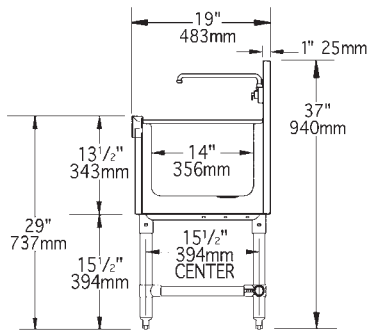
Item No.: _____
 Project No.: _____
 S.I.S. No.: _____

Spec-Bar® Three-Compartment Sinks

19" wide (483mm)

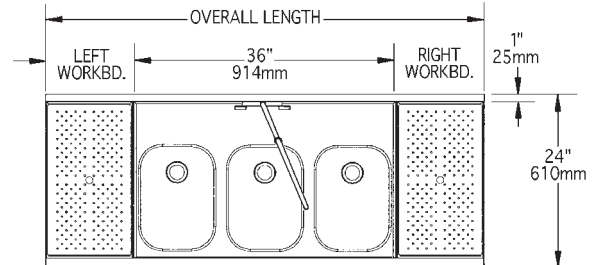


TOP VIEW

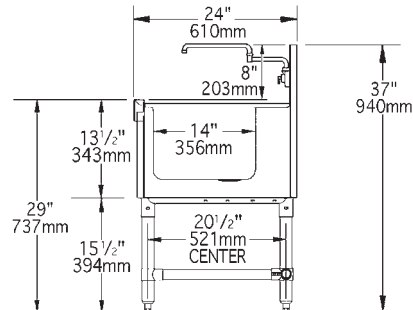


SIDE VIEW

24" wide (610mm)



TOP VIEW



SIDE VIEW

model #	overall length in.	overall length mm	drainboard length in.	drainboard length mm	drainboard location	weight lbs.	weight kg
B3-3-19	36"	914	n/a	n/a	n/a	60	27.2
B4-3-L-19	48"	1219	12"	305	left	70	31.8
B4-3-R-19	48"	1219	12"	305	right	70	31.8
B5-3-L-19	60"	1524	24"	610	left	80	36.3
B5-3-R-19	60"	1524	24"	610	right	80	36.3
B5-3-LR-19*	60"	1524	12"	305	left & right	180	81.6
B5.5-3-L-19	66"	1676	30"	762	left	85	38.6
B5.5-3-R-19	66"	1676	30"	762	right	85	38.6
B6-3-L-19	72"	1829	36"	914	left	90	40.8
B6-3-R-19	72"	1829	36"	914	right	90	40.8
B6-3-LR-19*	72"	1829	18"	457	left & right	190	86.2
B7-3-LR-19*	84"	2134	24"	610	left & right	205	93.0
B8-3-LR-19*	96"	2438	30"	762	left & right	220	99.8

* Sinks with two drainboards are shipped wood-crated. All others are boxed.

model #	overall length in.	overall length mm	drainboard length in.	drainboard length mm	drainboard location	weight lbs.	weight kg
B3-3-24	36"	914	n/a	n/a	n/a	65	29.5
B4-3-L-24	48"	1219	12"	305	left	75	34.0
B4-3-R-24	48"	1219	12"	305	right	75	34.0
B5-3-L-24	60"	1524	24"	610	left	85	38.6
B5-3-R-24	60"	1524	24"	610	right	85	38.6
B5-3-LR-24*	60"	1524	12"	305	left & right	185	83.9
B5.5-3-L-24	66"	1676	30"	762	left	90	40.8
B5.5-3-R-24	66"	1676	30"	762	right	90	40.8
B6-3-L-24	72"	1829	36"	914	left	95	43.1
B6-3-R-24	72"	1829	36"	914	right	95	43.1
B6-3-LR-24*	72"	1829	18"	457	left & right	195	88.5
B7-3-LR-24*	84"	2134	24"	610	left & right	210	95.3
B8-3-LR-24*	96"	2438	30"	762	left & right	225	102.1

EAGLE GROUP
 100 Industrial Boulevard, Clayton, DE 19938-8903 USA
 Phone: 302-653-3000 • Fax: 302-653-2065
 www.eaglegrp.com

Foodservice Division: Phone 800-441-8440
 MHC/Retail Display Divisions: Phone 800-637-5100

Printed in U.S.A.
 ©2011 by Eagle Group

Rev. 04/11

Spec sheets available for viewing, printing or downloading from our online literature library at www.eaglegrp.com

Although every attempt has been made to ensure the accuracy of the information provided, we cannot be held responsible for typographical or printing errors. Information and specifications are subject to change without notice. Please confirm at time of order.