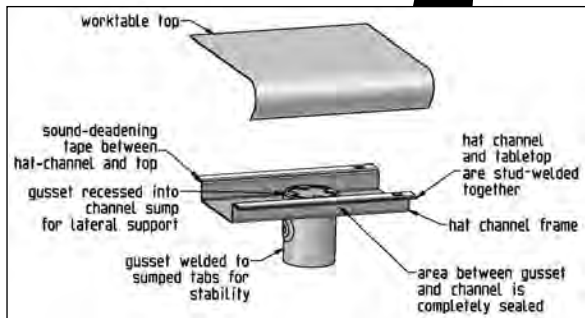


# Specification Sheet

## Short Form Specifications

BlendPort™ EL Series Worktables with Flat Top, model \_\_\_\_\_, 18 gauge type 430 stainless steel top features rolled rim on front and rear, with square bend on ends. 1½"-diameter galvanized legs. 18 gauge galvanized undershelf. Adjustable plastic bullet feet.



### Optional Drawers for EL Series Worktables

16" x 20".  
Fully enclosed.  
Features roller slides.



description	model #
For 24"-wide tables	<b>BPD-1620-24T</b>
For 30"-wide tables	<b>BPD-1620-30T</b>

Item No.: \_\_\_\_\_  
Project No.: \_\_\_\_\_  
S.I.S. No.: \_\_\_\_\_

## BlendPort™ EL Series Worktables with Flat Top

- 18 gauge type 430 stainless steel top features hemmed rolled rim edge on front and rear, with square bend on sides, and is sound-deadened.
- Top reinforced with welded-on hat channels, which allow for mounting optional drawers.
- 1½"-diameter galvanized steel legs.
- Galvanized steel gussets.
- Adjustable plastic bullet feet.
- 18 gauge galvanized steel undershelf.

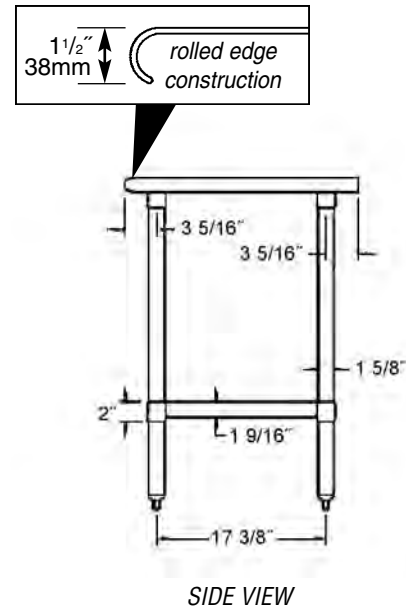
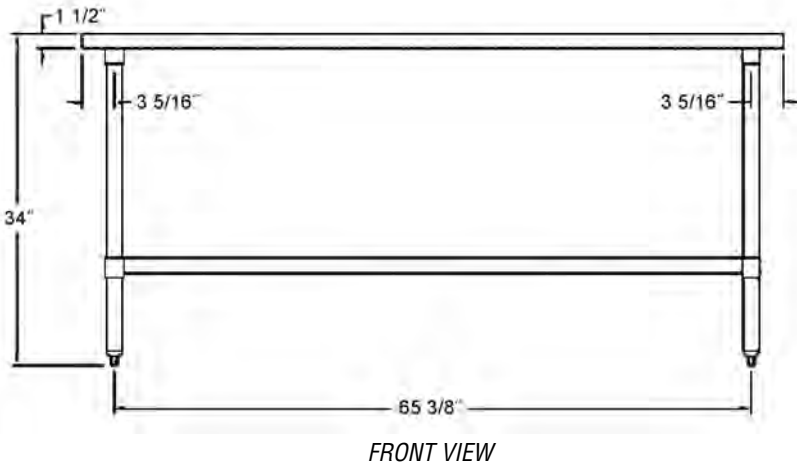
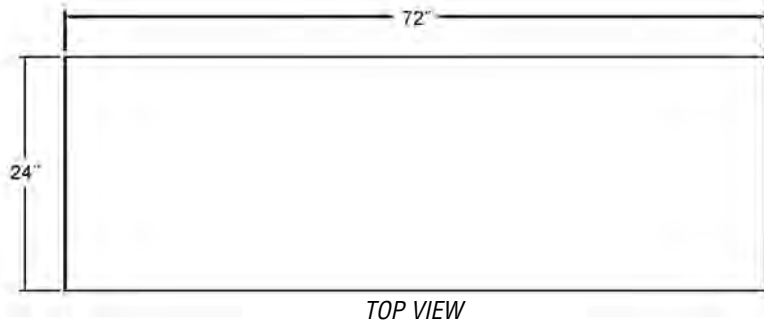
width x length	weight	model #
24" x 24"	42 lbs.	<b>BPT-2424EL</b>
24" x 30"	45 lbs.	<b>BPT-2430EL</b>
24" x 36"	50 lbs.	<b>BPT-2436EL</b>
24" x 48"	61 lbs.	<b>BPT-2448EL</b>
24" x 60"	73 lbs.	<b>BPT-2460EL</b>
24" x 72"	82 lbs.	<b>BPT-2472EL</b>
24" x 96"	114 lbs.	<b>BPT-2496EL</b>
30" x 24"	48 lbs.	<b>BPT-3024EL</b>
30" x 30"	49 lbs.	<b>BPT-3030EL</b>
30" x 36"	52 lbs.	<b>BPT-3036EL</b>
30" x 48"	68 lbs.	<b>BPT-3048EL</b>
30" x 60"	79 lbs.	<b>BPT-3060EL</b>
30" x 72"	92 lbs.	<b>BPT-3072EL</b>
30" x 96"	126 lbs.	<b>BPT-3096EL</b>





Item No.:	_____
Project No.:	_____
S.I.S. No.:	_____

## BlendPort™ EL Series Worktables with Flat Top



(Note: #BPT-2472EL shown)

### BlendPort™

An Eagle Group Company  
100 Industrial Boulevard, Clayton, DE 19938-8903 USA  
Phone: 800-441-8440 • Fax: 302-653-2065

Printed in U.S.A.  
©2011 by Eagle Group  
Rev. 11/11

Although every attempt has been made to ensure the accuracy of the information provided, we cannot be held responsible for typographical or printing errors. Information and specifications are subject to change without notice. Please confirm at time of order.