



Profit from the Eagle Advantage®

# Specification Sheet

## Short Form Specifications

Eagle Spec-Bar® Combination Ice Chest, model \_\_\_\_\_ . Heavy gauge type 304 stainless steel body, legs, leg channels and cross rails. Ice chest to be 10½" deep standard, with foamed-in-place insulation, non-metallic breaker strip to prevent heat transfer, and stainless steel sliding cover. Ice chest and bottle racks to have separate compartments and drains. ¾" x 2½" rectangular slots in top of backsplash for tubing. Stainless steel adjustable bullet feet. (2 or 8) circuit post mix sealed-in cold plate available.



19" wide (483mm) unit

## Options / Accessories

- 2-circuit post-mix cold plate
- 8-circuit post-mix cold plate
- 10-circuit post-mix cold plate
- 19" (483mm)-wide extra depth
- Extra depth
- Speed rail

## EAGLE GROUP

100 Industrial Boulevard, Clayton, DE 19938-8903 USA

Phone: 302-653-3000 • Fax: 302-653-2065

www.eaglegrp.com

Foodservice Division: Phone 800-441-8440

MHC/Retail Display Divisions: Phone 800-637-5100

For custom configuration or fabrication needs, contact our SpecFAB® Division.

Phone: 302-653-3000 • Fax: 302-653-3091 • e-mail: specfab@eaglegrp.com

Item No.:	_____
Project No.:	_____
S.I.S. No.:	_____

# Spec-Bar® Combination Ice Chests

## MODELS:

- |                                    |                                    |                                    |                                   |
|------------------------------------|------------------------------------|------------------------------------|-----------------------------------|
| <input type="checkbox"/> BCT24L-19 | <input type="checkbox"/> BCT42R-19 | <input type="checkbox"/> BCT30L-24 | <input type="checkbox"/> BCT48-24 |
| <input type="checkbox"/> BCT30L-19 | <input type="checkbox"/> BCT48R-19 | <input type="checkbox"/> BCT36L-24 | <input type="checkbox"/> BCT54-24 |
| <input type="checkbox"/> BCT36L-19 | <input type="checkbox"/> BCT48-19  | <input type="checkbox"/> BCT42L-24 | <input type="checkbox"/> BCT60-24 |
| <input type="checkbox"/> BCT42L-19 | <input type="checkbox"/> BCT54-19  | <input type="checkbox"/> BCT48L-24 |                                   |
| <input type="checkbox"/> BCT48L-19 | <input type="checkbox"/> BCT60-19  | <input type="checkbox"/> BCT30R-24 |                                   |
| <input type="checkbox"/> BCT24R-19 |                                    | <input type="checkbox"/> BCT36R-24 |                                   |
| <input type="checkbox"/> BCT30R-19 |                                    | <input type="checkbox"/> BCT42R-24 |                                   |
| <input type="checkbox"/> BCT36R-19 |                                    | <input type="checkbox"/> BCT48R-24 |                                   |

## Design and Construction Features

- Backsplash, sides, front panel, ice compartment and bottle well are all 20 gauge type 304 stainless steel.
- Top panel is 18 gauge and leg channels, legs and crossbracing are 16 gauge stainless steel.
- Standard model drains have 1½" (38mm) tailpiece; post-mix cold plate model drains have ½" x 4" (13 x 100mm) NPT black pipe nipple.
- Tubing access holes are ¾" x 2½" (22 x 73mm) and capacity per hole is 12 lines of ¼" I.D. x ¾" O.D. (6 x 10mm) nylon braided tubing.
- All models come with type 304 stainless steel sliding covers.
- 2-circuit post-mix cold plates available for all sizes, except where noted in charts. 8-circuit and 10-circuit post-mix cold plates available for 24" (610mm) long and larger models only, except where noted in charts on back page. (Add suffix "-2", "-8", or "-10".)
- Post-mix cold plate connection is ¼" (6mm) O.D. stainless steel tubing with swaged end.
- Ice bin interior depth is 10½" (267mm) in standard models and 14½" (368mm) in extra deep models complete with non-metallic breaker strip.
- Legs are 1½" (41mm) diameter type 304 stainless steel with stainless steel bullet feet.
- Crossbrace legs feature adjustable castings.

## Certifications / Approvals



## AUTOQUOTES



EG40.19 Rev. 05/11

Spec sheets available for viewing, printing or downloading from our online literature library at [www.eaglegrp.com](http://www.eaglegrp.com)

Eagle Foodservice Equipment, Eagle MHC, SpecFAB®, and Retail Display are divisions of Eagle Group. ©2011 by the Eagle Group

KaTom Restaurant Supply, Inc.

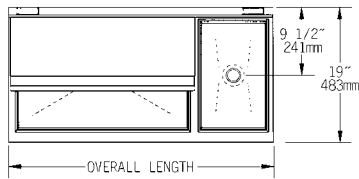


Profit from the Eagle Advantage®

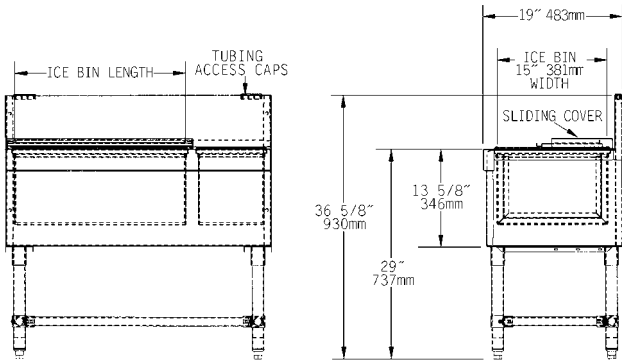
Item No.: \_\_\_\_\_  
 Project No.: \_\_\_\_\_  
 S.I.S. No.: \_\_\_\_\_

## Spec-Bar® Combination Ice Chests

### 19" (483mm)-wide Units



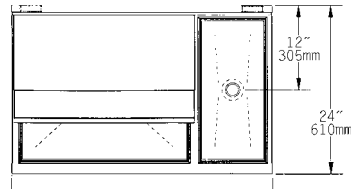
TOP VIEW



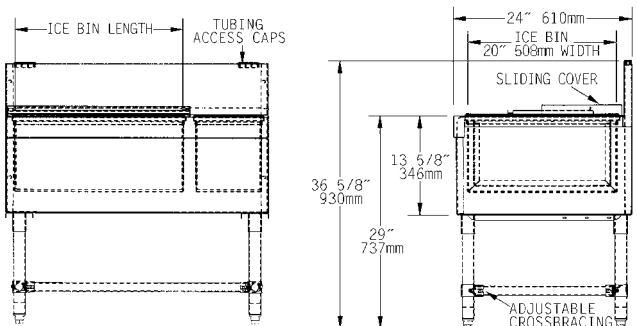
FRONT VIEW

SIDE VIEW

### 24" (610mm)-wide Units



TOP VIEW



FRONT VIEW

SIDE VIEW

#### Units with Single Left or Right Bottle Rack - holds 6 bottles

model #	overall length		ice bin width		ice bin length		weight		ice capacity	
	in.	mm	in.	mm	in.	mm	lbs.	kg	lbs.	kg
BCT24L or R-19*	24"	610	15"	381	11"	279	44	20.0	40	18.1
BCT30L or R-19*	30"	762	15"	381	17"	432	67	30.4	50	22.8
BCT36L or R-19	36"	914	15"	381	23"	584	80	36.3	67	30.4
BCT42L or R-19	42"	1067	15"	381	29"	737	93	42.2	84	38.0
BCT48L or R-19	48"	1219	15"	381	35"	889	106	48.1	100	45.6

\* There are no optional post-mix cold plates available for these models.

#### Units with Left & Right Bottle Racks - holds 12 bottles

model #	overall length		ice bin width		ice bin length		weight		ice capacity	
	in.	mm	in.	mm	in.	mm	lbs.	kg	lbs.	kg
BCT48-19	48"	1219	15"	381	23"	584	93	42.2	67	30.4
BCT54-19	54"	1372	15"	381	29"	737	106	48.1	84	38.0
BCT60-19	60"	1524	15"	381	35"	889	119	53.9	100	45.6

#### Units with Single Left or Right Bottle Rack - holds 8 bottles

model #	overall length		ice bin width		ice bin length		weight		ice capacity	
	in.	mm	in.	mm	in.	mm	lbs.	kg	lbs.	kg
BCT30L or R-24*	30"	762	20"	508	17"	432	72	32.7	64	28.9
BCT36L or R-24	36"	914	20"	508	23"	584	85	38.6	85	38.5
BCT42L or R-24	42"	1067	20"	508	29"	737	98	44.5	106	48.2
BCT48L or R-24	48"	1219	20"	508	35"	889	111	50.3	127	54.8

\* There are no optional post-mix cold plates available for these models.

#### Units with Left & Right Bottle Racks - holds 16 bottles

model #	overall length		ice bin width		ice bin length		weight		ice capacity	
	in.	mm	in.	mm	in.	mm	lbs.	kg	lbs.	kg
BCT48-24	48"	1219	20"	508	23"	584	101	45.8	85	38.5
BCT54-24	54"	1372	20"	508	29"	737	114	51.7	106	48.2
BCT60-24	60"	1524	20"	508	35"	889	127	57.6	127	54.8

\* There are no optional post-mix cold plates available for these models.

Note: Ice bin and bottle rack compartments are joined into one integral unit with separate compartments and drains. Each bottle rack compartment is fully insulated for ice-chilled storage of six or eight bottles. "Left" or "right" must be specified. Models with two bottle rack compartments store six or eight bottles on each side of the ice chest (12 or 16 bottles total). Combination ice chests are not recommended for dry, room temperature storage of bottles. Instead, higher bottle capacity liquor displays (see catalog sheet #EG40.47) should be ordered.

**EAGLE GROUP**  
 100 Industrial Boulevard, Clayton, DE 19938-8903 USA  
 Phone: 302-653-3000 • Fax: 302-653-2065  
 www.eaglegrp.com

Foodservice Division: Phone 800-441-8440  
 MHC/Retail Display Divisions: Phone 800-637-5100

Printed in U.S.A.  
 ©2011 by Eagle Group

Rev. 05/11

Spec sheets available for viewing, printing or downloading from our online literature library at [www.eaglegrp.com](http://www.eaglegrp.com)

Although every attempt has been made to ensure the accuracy of the information provided, we cannot be held responsible for typographical or printing errors. Information and specifications are subject to change without notice. Please confirm at time of order.