



Profit from the Eagle Advantage®

Specification Sheet

Short Form Specifications

Eagle Clean Dishtables, model _____. Top to be 16/430, 16/304, or 14/304 stainless steel, with all seams welded, ground smooth, and polished. Front and ends to have 3"-high upturn with 1½"-diameter rolled edge. Galvanized hat channels welded to underside. Backsplash is 8"-high, 20½" standard opening for dishwasher. Legs to be 1½" O.D. galvanized tubing, 1" diameter crossbracing and adjustable bullet feet (14/304 models come standard with stainless steel hat channels welded to underside of table, stainless steel crossbraced legs, and adjustable metal feet).



right-hand model shown with optional undershelf *
(dishwasher not included)

Options / Accessories *

- Undershelf
- Stainless steel legs
- Stainless steel gussets
- Stainless steel feet

* See Spec Sheet #EG50.07 for full line of options and accessories.

EAGLE GROUP
 100 Industrial Boulevard, Clayton, DE 19938-8903 USA
 Phone: 302-653-3000 • Fax: 302-653-2065
 www.eaglegrp.com

Foodservice Division: Phone 800-441-8440
MHC/Retail Display Divisions: Phone 800-637-5100

For custom configuration or fabrication needs, contact our **SpecFAB® Division**.
 Phone: 302-653-3000 • Fax: 302-653-3091 • e-mail: specfab@eaglegrp.com

Spec sheets available for viewing, printing or downloading from our online literature library at www.eaglegrp.com

Eagle Foodservice Equipment, Eagle MHC, SpecFAB®, and Retail Display are divisions of Eagle Group. ©2009 by the Eagle Group

KaTom Restaurant Supply, Inc.

Item No.: _____
 Project No.: _____
 S.I.S. No.: _____

Clean Dishtables— Straight Design

MODELS:

- | | | |
|---------------------------------------|---------------------------------------|----------------------------------------|
| <input type="checkbox"/> CDTL-24-16/4 | <input type="checkbox"/> CDTR-48-16/4 | <input type="checkbox"/> CDTL-84-16/4 |
| <input type="checkbox"/> CDTL-24-16/3 | <input type="checkbox"/> CDTR-48-16/3 | <input type="checkbox"/> CDTL-84-16/3 |
| <input type="checkbox"/> CDTL-24-14/3 | <input type="checkbox"/> CDTR-48-14/3 | <input type="checkbox"/> CDTL-84-14/3 |
| <input type="checkbox"/> CDTR-24-16/4 | <input type="checkbox"/> CDTR-48-16/4 | <input type="checkbox"/> CDTR-84-16/4 |
| <input type="checkbox"/> CDTR-24-16/3 | <input type="checkbox"/> CDTR-48-16/3 | <input type="checkbox"/> CDTR-84-16/3 |
| <input type="checkbox"/> CDTR-24-14/3 | <input type="checkbox"/> CDTR-48-14/3 | <input type="checkbox"/> CDTR-84-14/3 |
| <input type="checkbox"/> CDTL-30-16/4 | <input type="checkbox"/> CDTL-60-16/4 | <input type="checkbox"/> CDTL-96-16/4 |
| <input type="checkbox"/> CDTL-30-16/3 | <input type="checkbox"/> CDTL-60-16/3 | <input type="checkbox"/> CDTL-96-16/3 |
| <input type="checkbox"/> CDTL-30-14/3 | <input type="checkbox"/> CDTL-60-14/3 | <input type="checkbox"/> CDTL-96-14/3 |
| <input type="checkbox"/> CDTR-30-16/4 | <input type="checkbox"/> CDTR-60-16/4 | <input type="checkbox"/> CDTR-96-16/4 |
| <input type="checkbox"/> CDTR-30-16/3 | <input type="checkbox"/> CDTR-60-16/3 | <input type="checkbox"/> CDTR-96-16/3 |
| <input type="checkbox"/> CDTR-30-14/3 | <input type="checkbox"/> CDTR-60-14/3 | <input type="checkbox"/> CDTR-96-14/3 |
| <input type="checkbox"/> CDTL-36-16/4 | <input type="checkbox"/> CDTL-72-16/4 | <input type="checkbox"/> CDTL-120-16/4 |
| <input type="checkbox"/> CDTL-36-16/3 | <input type="checkbox"/> CDTL-72-16/3 | <input type="checkbox"/> CDTL-120-16/3 |
| <input type="checkbox"/> CDTR-36-14/3 | <input type="checkbox"/> CDTL-72-14/3 | <input type="checkbox"/> CDTL-120-14/3 |
| <input type="checkbox"/> CDTR-36-16/4 | <input type="checkbox"/> CDTR-72-16/4 | <input type="checkbox"/> CDTR-120-16/4 |
| <input type="checkbox"/> CDTR-36-16/3 | <input type="checkbox"/> CDTR-72-16/3 | <input type="checkbox"/> CDTR-120-16/3 |
| <input type="checkbox"/> CDTR-36-14/3 | <input type="checkbox"/> CDTR-72-14/3 | <input type="checkbox"/> CDTR-120-14/3 |

Design and Construction Features

- 14 or 16 gauge stainless steel.
- 30" (762mm)-wide table furnished in nine lengths.
- 1½" (38mm) raised rolled rim on front and end.
- 1½" (41mm)-diameter galvanized legs with welded 1" (25mm)-diameter crossbracing.
- 8" (203mm)-high backsplash.
- Adjustable non-marking bullet feet with up to 1" (25mm) adjustment.
- All Spec-Master® 14 gauge type 304 dishtables come standard with stainless steel crossbraced legs and gussets, complete with metal feet.

Certifications / Approvals

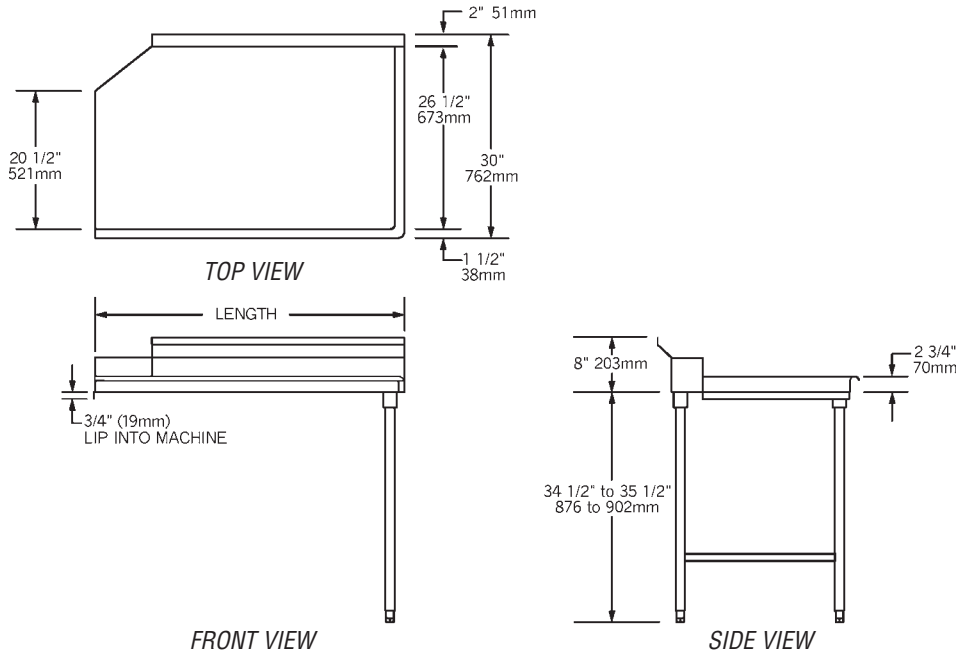




Profit from the Eagle Advantage®

Item No.: _____
 Project No.: _____
 S.I.S. No.: _____

Clean Dishtables—Straight Design



16 gauge type 430 model #	16 gauge type 304 model #	Spec-Master® 14 gauge type 304 model #	description	length		weight	
				in.	mm	lbs.	kg
CDTL-24-16/4	CDTL-24-14/3	CDTL-24-16/3	left-hand model	24"	610	36	16.3
CDTR-24-16/4	CDTR-24-16/3	CDTR-24-14/3	right-hand model	24"	610	36	16.3
CDTL-30-16/4	CDTL-30-16/3	CDTL-30-14/3	left-hand model	30"	762	42	19.1
CDTR-30-16/4	CDTR-30-16/3	CDTR-30-14/3	right-hand model	30"	762	42	19.1
CDTL-36-16/4	CDTL-36-16/3	CDTL-36-14/3	left-hand model	36"	914	49	22.2
CDTR-36-16/4	CDTR-36-16/3	CDTR-36-14/3	right-hand model	36"	914	49	22.2
CDTL-48-16/4	CDTL-48-16/3	CDTL-48-14/3	left-hand model	48"	1219	63	29.6
CDTR-48-16/4	CDTR-48-16/3	CDTR-48-14/3	right-hand model	48"	1219	63	29.6
CDTL-60-16/4	CDTL-60-16/3	CDTL-60-14/3	left-hand model	60"	1524	77	34.9
CDTR-60-16/4	CDTR-60-16/3	CDTR-60-14/3	right-hand model	60"	1524	77	34.9
CDTL-72-16/4	CDTL-72-16/3	CDTL-72-14/3	left-hand model	72"	1829	91	41.3
CDTR-72-16/4	CDTR-72-16/3	CDTR-72-14/3	right-hand model	72"	1829	91	41.3
CDTL-84-16/4	CDTL-84-16/3	CDTL-84-14/3	left-hand model	84"	2134	105	47.6
CDTR-84-16/4	CDTR-84-16/3	CDTR-84-14/3	right-hand model	84"	2134	105	47.6
CDTL-96-16/4	CDTL-96-16/3	CDTL-96-14/3	left-hand model	96"	2438	119	54.0
CDTR-96-16/4	CDTR-96-16/3	CDTR-96-14/3	right-hand model	96"	2438	119	54.0
CDTL-120-16/4	CDTL-120-16/3	CDTL-120-14/3	left-hand model	120"	3048	147	66.7
CDTR-120-16/4	CDTR-120-16/3	CDTR-120-14/3	right-hand model	120"	3048	147	66.7

EAGLE GROUP
 100 Industrial Boulevard, Clayton, DE 19938-8903 USA
 Phone: 302-653-3000 • Fax: 302-653-2065
 www.eaglegrp.com

Foodservice Division: Phone 800-441-8440
 MHC/Retail Display Divisions: Phone 800-637-5100

Printed in U.S.A.
 ©2009 by Eagle Group
 Rev. 06/09

Spec sheets available for viewing, printing or downloading from our online literature library at www.eaglegrp.com

Although every attempt has been made to ensure the accuracy of the information provided, we cannot be held responsible for typographical or printing errors. Information and specifications are subject to change without notice. Please confirm at time of order.