



Profit from the Eagle Advantage®

# Specification Sheet

## Short Form Specifications

Eagle Tank Rack, Style "A", model \_\_\_\_\_. Unit includes one chrome-plated dunnage mat with frame, four 33" chrome-plated posts, one chrome-plated 3-sided frame, and cable assembly. Shipped knocked down.

Eagle Tank Rack Style "B", model \_\_\_\_\_. Unit includes one chrome-plated dunnage mat with frame, four 74" chrome-plated posts, two chrome-plated wire shelves with patented QuadTruss® design, one chrome-plated 3-sided frame, and cable assembly. Shipped knocked down.



style "A" syrup tank rack with optional drip pan shown



style "B" syrup tank rack with optional drip pan shown

## Options / Accessories

- Cylinder retainer
- Drip pan

**EAGLE GROUP**  
100 Industrial Boulevard, Clayton, DE 19938-8903 USA  
Phone: 302-653-3000 • Fax: 302-653-2065  
www.eaglegrp.com

**Foodservice Division: Phone 800-441-8440**  
**MHC/Retail Display Divisions: Phone 800-637-5100**

For custom configuration or fabrication needs, contact our **SpecFAB® Division**.  
Phone: 302-653-3000 • Fax: 302-653-3091 • e-mail: specfab@eaglegrp.com

Item No.:	_____
Project No.:	_____
S.I.S. No.:	_____

## Tank Racks

### MODELS:

- STR2430A
- STR2448A
- STR2430B
- STR2448B
- DP30
- DP48
- CRR24-C

### Style "A" Racks

- One dunnage mat with frame.
- One 3-sided frame.
- Four 33" (838mm) posts.
- One cable assembly.
- Shipped knocked-down.
- Chrome-plated.

### Style "B" Racks

- One dunnage mat with frame.
- One 3-sided frame.
- Four 74" (1880mm) posts.
- One cable assembly.
- Two standard shelves.
- Shipped knocked-down.
- Chrome-plated.

### Optional Cylinder Retainer

- Chrome-plated.
- Cylinders are secured to retainer to further prevent damage.

### Optional Drip Pans

- Stainless steel.
- Brackets included.



EG01.31 Rev. 09/08

**Spec sheets available for viewing, printing or downloading from our online literature library at [www.eaglegrp.com](http://www.eaglegrp.com)**

*Eagle Foodservice Equipment, Eagle MHC, SpecFAB®, and Retail Display are divisions of Eagle Group. ©2008 by the Eagle Group*

KaTom Restaurant Supply, Inc.

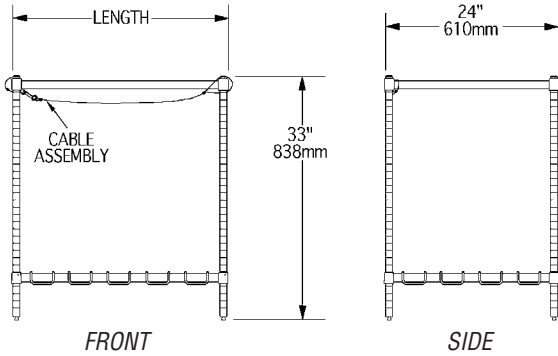


Profit from the Eagle Advantage®

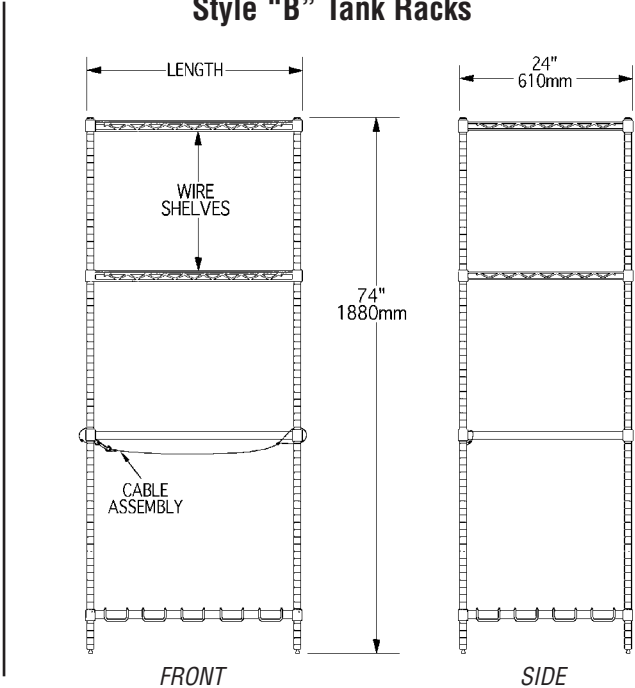
Item No.: \_\_\_\_\_  
 Project No.: \_\_\_\_\_  
 S.I.S. No.: \_\_\_\_\_

# Tank Racks

## Style "A" Tank Racks



## Style "B" Tank Racks



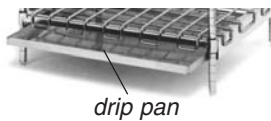
### Style "A" Tank Racks

model #	height		weight	
	in.	mm	lbs.	kg
<b>STR2430A</b>	33"	838	40	18.1
<b>STR2448A</b>	33"	838	50	22.7

### Style "B" Tank Racks

model #	height		weight		width		length	
	in.	mm	lbs.	kg	in.	mm	in.	mm
<b>STR2430B</b>	74"	1880	68	30.8	24"	610	30"	762
<b>STR2448B</b>	74"	1880	88	39.9	24"	610	48"	1219

## Optional Drip Pans



model #	width		length		weight	
	in.	mm	in.	mm	lbs.	kg
<b>DP30</b>	24"	610	30"	762	8	3.6
<b>DP48</b>	24"	610	48"	1219	12	5.4

## Optional Cylinder Retainer



model #	width		weight	
	in.	mm	lbs.	kg
<b>CRR24-C</b>	24"	610	7	3.2

**EAGLE GROUP**  
 100 Industrial Boulevard, Clayton, DE 19938-8903 USA  
 Phone: 302-653-3000 • Fax: 302-653-2065  
 www.eaglegrp.com

Foodservice Division: Phone 800-441-8440  
 MHC/Retail Display Divisions: Phone 800-637-5100

Printed in U.S.A.  
 ©2008 by Eagle Group  
 Rev. 09/08

Spec sheets available for viewing, printing or downloading from our online literature library at [www.eaglegrp.com](http://www.eaglegrp.com)

Although every attempt has been made to ensure the accuracy of the information provided, we cannot be held responsible for typographical or printing errors. Information and specifications are subject to change without notice. Please confirm at time of order.