



Profit from the Eagle Advantage®

# Specification Sheet

## Short Form Specifications

Eagle 1800 Series Glass Rack Storage Unit, model \_\_\_\_\_ . Offered with Flatboard Top, Recessed Worktop, or Open Top. Front and backsplash to be heavy gauge type 304 stainless steel. Storage units available to accommodate a variety of sizes, from half-size glass racks to nominal 20" x 20" racks. 1 1/2" O.D. galvanized tubular legs with adjustable bullet feet.



#FBGR24-18

## Options / Accessories

- Stainless steel leg kits
- Center shelf

**EAGLE GROUP**  
100 Industrial Boulevard, Clayton, DE 19938-8903 USA  
Phone: 302-653-3000 • Fax: 302-653-2065  
www.eaglegrp.com

**Foodservice Division: Phone 800-441-8440**  
**MHC/Retail Display Divisions: Phone 800-637-5100**

For custom configuration or fabrication needs, contact our **SpecFAB® Division**.  
Phone: 302-653-3000 • Fax: 302-653-3091 • e-mail: specfab@eaglegrp.com

Item No.:	_____
Project No.:	_____
S.I.S. No.:	_____

# 1800 Series Glass Rack Storage Units

## MODELS:

- |   |   |   |
|---|---|---|
| <input type="checkbox"/> <b>FBGR12-18</b> | <input type="checkbox"/> <b>FBGR18-18</b> | <input type="checkbox"/> <b>FBGR24-18</b> |
| <input type="checkbox"/> <b>WBGR12-18</b> | <input type="checkbox"/> <b>WBGR18-18</b> | <input type="checkbox"/> <b>WBGR24-18</b> |
| <input type="checkbox"/> <b>GR12-18</b>   | <input type="checkbox"/> <b>GR18-18</b>   | <input type="checkbox"/> <b>GR24-18</b>   |

## Design and Construction Features

- These units are modular, allowing for custom configurations of underbar equipment using standard components.
- Stainless steel all-welded construction.
- 12", 18, or 24" (305, 457, or 610mm) side-to-side.
- Available with flatboard top, recessed workboard top featuring removable stainless steel perforated insert with 1 1/2" (38mm) stainless steel drain, or open top.
- 24" (610mm)-long units designed to accommodate nominal 20" x 20" (508 x 508mm) full-size glass racks.
- Heavy duty galvanized legs.
- Adjustable plastic bullet feet.
- Optional center shelf available. To order, add suffix "-CS" to model number. Example: FBGR24-18-CS



**Spec sheets available for viewing, printing or downloading from our online literature library at [www.eaglegrp.com](http://www.eaglegrp.com)**

*Eagle Foodservice Equipment, Eagle MHC, SpecFAB®, and Retail Display are divisions of Eagle Group. ©2011 by the Eagle Group*

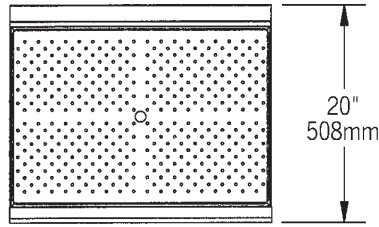
KaTom Restaurant Supply, Inc.



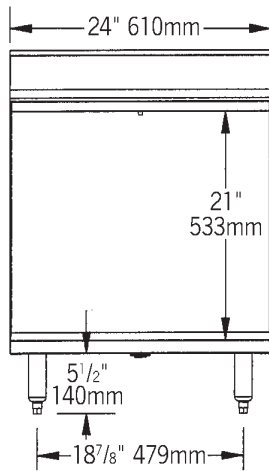
Profit from the Eagle Advantage®

Item No.: \_\_\_\_\_  
 Project No.: \_\_\_\_\_  
 S.I.S. No.: \_\_\_\_\_

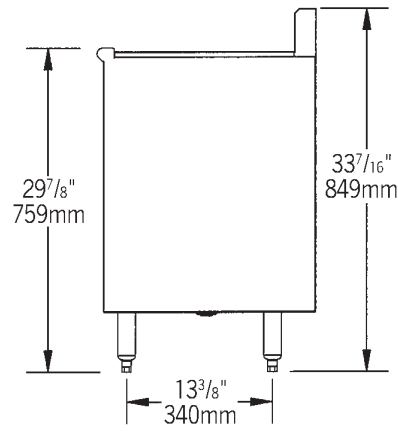
# 1800 Series Glass Rack Storage Units



TOP VIEW



FRONT VIEW



SIDE VIEW

Note: #WBGR24-18 shown

description	width		12" (305mm) side-to-side		18" (457mm) side-to-side		24" (610mm) side-to-side	
	in.	mm	lbs.	kg	lbs.	kg	lbs.	kg
with flatboard top	20"	508	18	8.2	27	12.2	36	16.3
with recessed worktop	20"	508	18	8.2	27	12.2	36	16.3
with open top	19 1/2"	495	14	6.4	21	9.5	27	12.2

## Optional Components

add suffix #	description
-SL	stainless steel leg assemblies
-SLF	stainless steel leg assemblies & stainless steel feet

**EAGLE GROUP**  
 100 Industrial Boulevard, Clayton, DE 19938-8903 USA  
 Phone: 302-653-3000 • Fax: 302-653-2065  
 www.eaglegrp.com

Foodservice Division: Phone 800-441-8440  
 MHC/Retail Display Divisions: Phone 800-637-5100

Printed in U.S.A.  
 ©2011 by Eagle Group

Rev. 04/11

Spec sheets available for viewing, printing or downloading from our online literature library at [www.eaglegrp.com](http://www.eaglegrp.com)

Although every attempt has been made to ensure the accuracy of the information provided, we cannot be held responsible for typographical or printing errors. Information and specifications are subject to change without notice. Please confirm at time of order.