



Profit from the Eagle Advantage®

Specification Sheet

Short Form Specifications

Eagle Hand Sink, model HSA-10. Constructed of type 304 stainless steel, all-welded with deep-drawn positive drain sink bowl, inverted "V" edge to prevent spillage and basket drain. Unit less faucet.

Eagle Hand Sink, model HSA-10-F. Features the same as sink #HSA-10, plus splash mounted gooseneck faucet.

Eagle Hand Sink, model HSA-10-FA. Features the same as sink #HSA-10, plus p-trap, tailpiece, and splash mounted gooseneck faucet.

Eagle Hand Sink, model HSA-10-FAW. Features the same as sink #HSA-10, plus p-trap, tailpiece, and splash mounted gooseneck faucet with wrist handles.

Eagle Hand Sink, model HSA-10-FL. Constructed of type 304 stainless steel, all-welded with deep-drawn positive drain sink bowl, inverted "V" edge to prevent spillage, polymer lever drain, and splash mounted gooseneck faucet.

Eagle Hand Sink, model HSA-10-FO. Features the same as sink #HSA-10-FL, plus polymer lever drain includes overflow.



#HSA-10-F

Item No.:	_____
Project No.:	_____
S.I.S. No.:	_____

Traditional Hand Sinks

MODELS:

- HSA-10
- HSA-10-F
- HSA-10-FAW
- HSA-10-FA
- HSA-10-FL
- HSA-10-FO

Design & Construction Features

- Heavy gauge type 304 stainless steel all-welded construction.
- Inverted "V" edge rim retards spillage.
- Unique deep-drawn positive-drain bowl assures complete drainage to meet the most stringent health code requirements.
- Water inlet: 1/2" (13mm) NPT.
- Drain outlet: 1 1/2" (38mm) NPS.
- Six models to choose from.

Options / Accessories

- P-trap
- Tail piece
- End splashes
- Front skirt
- Side mount wall bracket
- MICROGARD®* antimicrobial protection

* For hand sinks #HSA-10, HSA-10-F, HSA-10-FA, and HSA-10-FAW

EAGLE GROUP
 100 Industrial Boulevard, Clayton, DE 19938-8903 USA
 Phone: 302-653-3000 • Fax: 302-653-2065
 www.eaglegrp.com

Foodservice Division: Phone 800-441-8440
MHC/Retail Display Divisions: Phone 800-637-5100

For custom configuration or fabrication needs, contact our **SpecFAB® Division**.
 Phone: 302-653-3000 • Fax: 302-653-3091 • e-mail: specfab@eaglegrp.com



EG20.40 Rev. 01/11

Spec sheets available for viewing, printing or downloading from our online literature library at www.eaglegrp.com

Eagle Foodservice Equipment, Eagle MHC, SpecFAB®, and Retail Display are divisions of Eagle Group. ©2011 by the Eagle Group

KaTom Restaurant Supply, Inc.

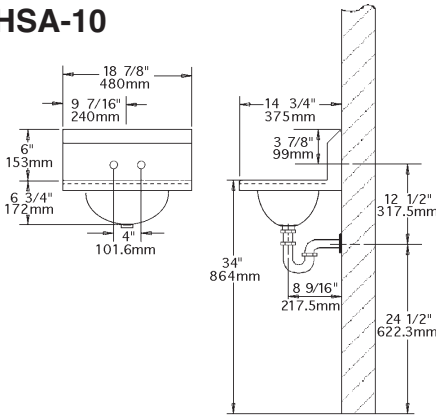


Profit from the Eagle Advantage®

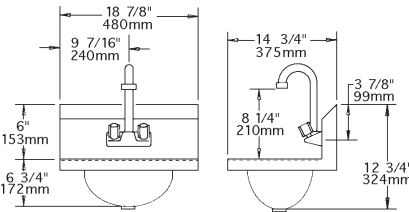
Item No.: _____
 Project No.: _____
 S.I.S. No.: _____

Traditional Hand Sinks

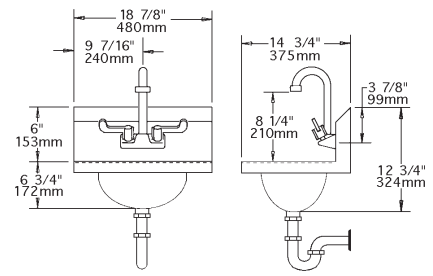
HSA-10



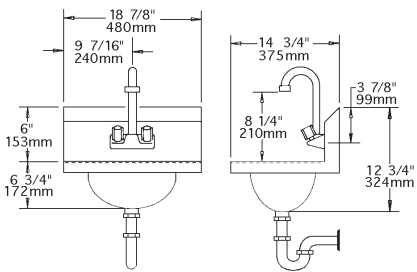
HSA-10-F



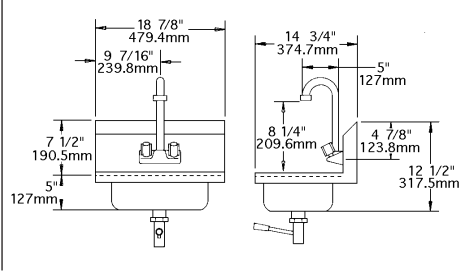
HSA-10-FAW



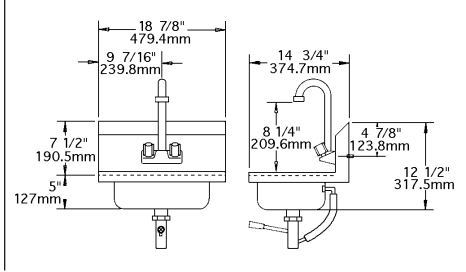
HSA-10-FA



HSA-10-FL



HSA-10-FO



model #	includes	bowl size		overall size		weight	
		width	length x depth	width	length x height	lbs.	kg
HSA-10 *	4" (102mm) centerline faucet holes, basket drain	9 3/4"	13 1/2" x 6 3/4"	248 x 343 x 173	14 3/4" x 18 7/8" x 12 3/4"	376 x 480 x 324	10 4.5
HSA-10-F	faucet, basket drain	9 3/4"	13 1/2" x 6 3/4"	248 x 343 x 173	14 3/4" x 18 7/8" x 12 3/4"	376 x 480 x 324	12 5.2
HSA-10-FA	faucet, p-trap, tail piece, basket drain	9 3/4"	13 1/2" x 6 3/4"	248 x 343 x 173	14 3/4" x 18 7/8" x 12 3/4"	376 x 480 x 324	14 6.4
HSA-10-FAW	faucet w/wrist handles, p-trap, tail piece, basket drain	9 3/4"	13 1/2" x 6 3/4"	248 x 343 x 173	14 3/4" x 18 7/8" x 12 3/4"	376 x 480 x 324	14 6.4
HSA-10-FL	faucet, polymer lever drain	10"	14" x 5"	254 x 256 x 127	14 3/4" x 18 7/8" x 12 1/2"	376 x 480 x 318	15 6.6
HSA-10-FO	faucet, polymer lever drain w/overflow	10"	14" x 5"	254 x 256 x 127	14 3/4" x 18 7/8" x 12 1/2"	376 x 480 x 318	13 5.9

* To order hand sink with no faucet holes, add suffix "-NH" to model number (example: HSA-10-NH).

EAGLE GROUP
 100 Industrial Boulevard, Clayton, DE 19938-8903 USA
 Phone: 302-653-3000 • Fax: 302-653-2065
 www.eaglegrp.com

Foodservice Division: Phone 800-441-8440
 MHC/Retail Display Divisions: Phone 800-637-5100

Printed in U.S.A.
 ©2011 by Eagle Group

Rev. 01/11

Spec sheets available for viewing, printing or downloading from our online literature library at www.eaglegrp.com

Although every attempt has been made to ensure the accuracy of the information provided, we cannot be held responsible for typographical or printing errors. Information and specifications are subject to change without notice. Please confirm at time of order.