



Profit from the Eagle Advantage®

# Specification Sheet

## Short Form Specifications

Eagle Economy Hand Sink, model HSAE-10-FA. Constructed of type 304 stainless steel 10" x 14" x 5" deep stainless steel sink bowl, 3½" basket drain with 1½" IPS connection, two mounting brackets, and deck mounted gooseneck faucet.



#HSAE-10-FA

## Options / Accessories

- P-trap
- Tail piece
- End splashes
- Side mount wall bracket
- Soap & towel dispenser

Item No.:	_____
Project No.:	_____
S.I.S. No.:	_____

## Economical Hand Sink\*

### MODELS:

- HSAE-10-FA

### Design & Construction Features

- Heavy gauge type 304 stainless steel all-welded construction.
- Flared edge along deck and splash.
- Rear features a 4" (102mm)-high backsplash.
- Deck-mounted gooseneck faucet on 4" (102mm) centers.
- Comes with mounting brackets to facilitate wall mount installation.
- 10" x 14" x 5" (254 x 356 x 127mm) sink bowl.
- Corners of backsplash and deck are rounded.
- 3½" (89mm) basket drain with 1½" (38mm) IPS connection.

\* Non-electric. We offer sinks with electric soap dispenser and faucets.

## EAGLE GROUP

100 Industrial Boulevard, Clayton, DE 19938-8903 USA  
Phone: 302-653-3000 • Fax: 302-653-2065  
www.eaglegrp.com

Foodservice Division: Phone 800-441-8440

MHC/Retail Display Divisions: Phone 800-637-5100

For custom configuration or fabrication needs, contact our SpecFAB® Division.

Phone: 302-653-3000 • Fax: 302-653-3091 • e-mail: specfab@eaglegrp.com

## Certifications / Approvals



EG20.37 Rev. 06/09

Spec sheets available for viewing, printing or downloading from our online literature library at [www.eaglegrp.com](http://www.eaglegrp.com)

Eagle Foodservice Equipment, Eagle MHC, SpecFAB®, and Retail Display are divisions of Eagle Group. ©2009 by the Eagle Group

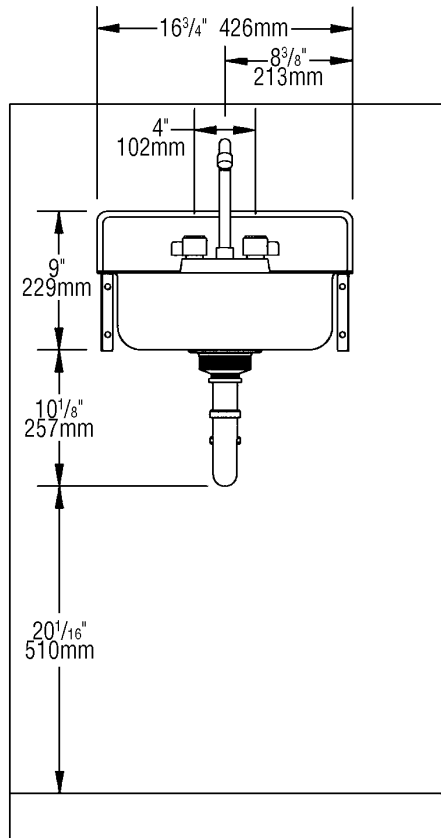
KaTom Restaurant Supply, Inc.



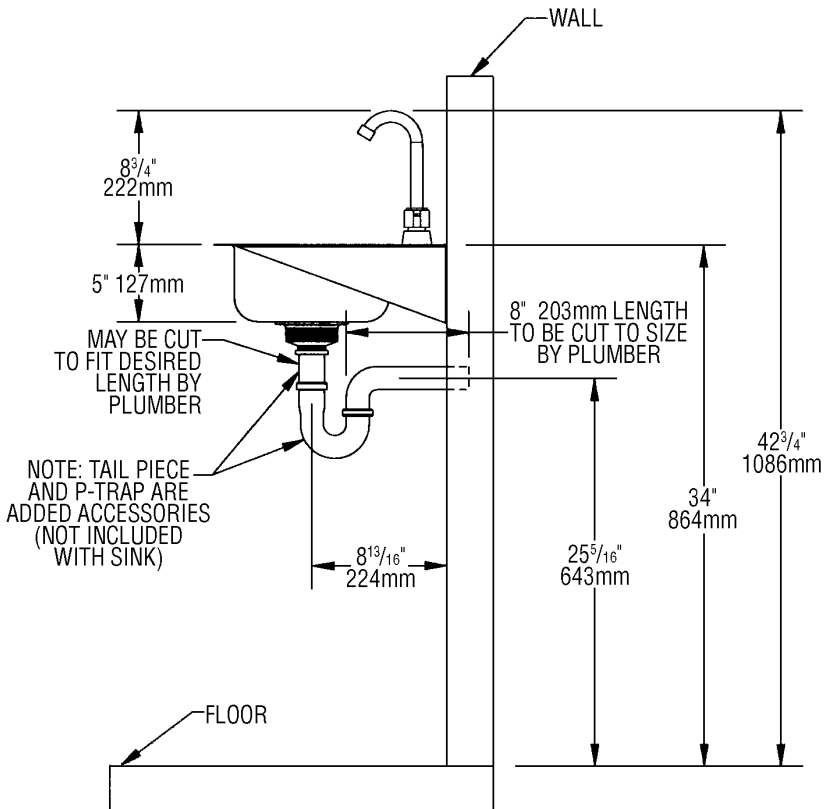
Profit from the Eagle Advantage®

Item No.: \_\_\_\_\_  
 Project No.: \_\_\_\_\_  
 S.I.S. No.: \_\_\_\_\_

# Economical Hand Sink



FRONT VIEW



SIDE VIEW

Please note: optional tail piece and P-trap shown

model #	bowl size		overall size		weight	
	width in.	length x depth mm	width in.	length x height mm	lbs.	kg
HSAE-10-FA	10" x 14" x 5"	254 x 356 x 127	15" x 16 3/4" x 9"	381 x 425 x 229	10	4.5

**EAGLE GROUP**  
 100 Industrial Boulevard, Clayton, DE 19938-8903 USA  
 Phone: 302-653-3000 • Fax: 302-653-2065  
 www.eaglegrp.com

Foodservice Division: Phone 800-441-8440  
 MHC/Retail Display Divisions: Phone 800-637-5100

Printed in U.S.A.  
 ©2009 by Eagle Group  
 Rev. 06/09

Spec sheets available for viewing, printing or downloading from our online literature library at [www.eaglegrp.com](http://www.eaglegrp.com)

Although every attempt has been made to ensure the accuracy of the information provided, we cannot be held responsible for typographical or printing errors. Information and specifications are subject to change without notice. Please confirm at time of order.