



Profit from the Eagle Advantage®

Specification Sheet

Short Form Specifications

Eagle Aluminum Beer Keg Rack, model _____. Heavy duty extruded aluminum construction with two heavy duty shelves for kegs, and a third shelf for general storage. Shelves are adjustable in 2" increments. Posts are 1 1/8"-diameter, marked in 2" increments with end caps on each end. Shipped knocked down.



aluminum beer keg rack

Options / Accessories

- Additional shelves
- 3-sided frames
- Posts

EAGLE GROUP
100 Industrial Boulevard, Clayton, DE 19938-8903 USA
Phone: 302-653-3000 • Fax: 302-653-2065
www.eaglegrp.com

Foodservice Division: Phone 800-441-8440
MHC/Retail Display Divisions: Phone 800-637-5100

For custom configuration or fabrication needs, contact our **SpecFAB® Division**.
Phone: 302-653-3000 • Fax: 302-653-3091 • e-mail: specfab@eaglegrp.com

Item No.:	_____
Project No.:	_____
S.I.S. No.:	_____

Aluminum Beer Keg Racks

MODELS:

- | | | | |
|-----------------------------------|-----------------------------------|-----------------------------------|---------------------------------|
| <input type="checkbox"/> KR1842A | <input type="checkbox"/> KRS1860A | <input type="checkbox"/> KRB1880A | <input type="checkbox"/> KP54-A |
| <input type="checkbox"/> KR1860A | <input type="checkbox"/> KRS1880A | <input type="checkbox"/> KRB1893A | <input type="checkbox"/> KP68-A |
| <input type="checkbox"/> KR1880A | <input type="checkbox"/> KRS1893A | <input type="checkbox"/> KP12-A | <input type="checkbox"/> KP72-A |
| <input type="checkbox"/> KR1893A | <input type="checkbox"/> KRB1842A | <input type="checkbox"/> KP34-A | <input type="checkbox"/> KP76-A |
| <input type="checkbox"/> KRS1842A | <input type="checkbox"/> KRB1860A | <input type="checkbox"/> KP48-A | <input type="checkbox"/> KP84-A |

Design and Construction Features

- Compatible with any wet or dry storage environment.
- Resists corrosion and rust.
- Heavy duty, high-tensile extruded aluminum, type 6063-T5 alloy.
- Racks feature three shelves – two of which are heavy duty for kegs and the third (usually on top) is for general storage.
- Heavy duty shelves: Rectangular frame of 1 1/2" x 2 1/4" x 0.07" (38 x 70 x 2mm) wall extruded aluminum square tube, with 1 1/4" x 2 1/4" x 0.100" (32 x 57 x 3mm) T-bars welded inside perpendicular to shelf length. 3" (76mm) spacing between T-bars.
- Top general storage shelf: Rectangular frame of 1 1/2" x 1 3/4" x 0.07" (38 x 45 x 2mm) wall extruded aluminum square tube, with 1 1/4" x 2 1/4" x 0.10" (32 x 57 x 3mm) T-bars welded inside. 3" (76mm) spacing between T-bars.
- Shelves are adjustable in 2" (51mm) increments. Each shelf corner has a welded-in-place heavy duty extruded aluminum collar with set screw.
- Posts are 1 1/8" (33mm) diameter, marked in 2" (51mm) increments, and include end cap on each end.
- Shipped knocked down, and assembles easily with allen wrench provided.

Certifications / Approvals



Spec sheets available for viewing, printing or downloading from our online literature library at www.eaglegrp.com

Eagle Foodservice Equipment, Eagle MHC, SpecFAB®, and Retail Display are divisions of Eagle Group. ©2009 by the Eagle Group

KaTom Restaurant Supply, Inc.

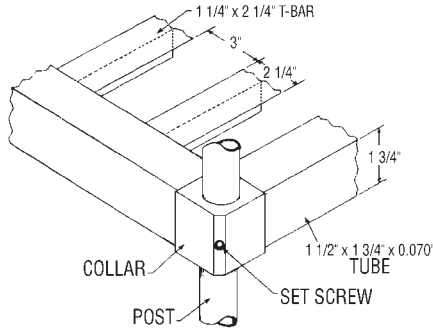


Profit from the Eagle Advantage®

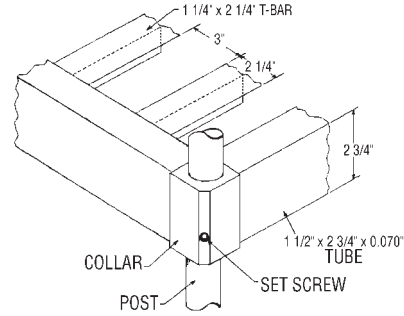
Item No.: _____
 Project No.: _____
 S.I.S. No.: _____

Aluminum Beer Keg Racks

Corner of Top Shelf (used for general storage)



Corner of Heavy Duty Shelves (used for kegs)



model #	width		length		height		weight		keg capacity
	in.	mm	in.	mm	in.	mm	lbs.	kg	
KR1842A	18"	457	42"	1067	76"	1930	41	18.6	4
KR1860A	18"	457	60"	1524	76"	1930	64	29.0	6
KR1880A	18"	457	80"	2032	76"	1930	78	35.4	8
KR1893A*	18"	457	93"	2362	76"	1930	93	42.2	10

* 93" (2362mm)-long units feature six posts.

Replacement Components

Heavy Duty Shelves

model #	width		length		weight		keg capacity
	in.	mm	in.	mm	lbs.	kg	
KRS1842A	18"	457	42"	1067	12	5.4	2
KRS1860A	18"	457	60"	1524	15	6.8	3
KRS1880A	18"	457	80"	2032	19	8.6	4
KRS1893A	18"	457	93"	2362	23	10.4	5

Posts

model #	height		weight	
	in.	mm	lbs.	kg
KP12-A	12"	305	0.6	0.3
KP34-A	34"	864	2.0	0.9
KP48-A	48"	1219	2.5	1.1
KP54-A	54"	1372	3.0	1.4
KP68-A	68"	1727	3.5	1.6
KP72-A	72"	1829	3.5	1.6
KP76-A	76"	1930	4.0	1.8
KP84-A	84"	2134	4.5	2.0

3-Sided Frames

model #	width		length		weight	
	in.	mm	in.	mm	lbs.	kg
KRB1842A	18"	457	42"	1067	5	2.3
KRB1860A	18"	457	60"	1524	8	3.6
KRB1880A	18"	457	80"	2032	9	4.1
KRB1893A	18"	457	93"	2362	10	4.5

EAGLE GROUP

100 Industrial Boulevard, Clayton, DE 19938-8903 USA

Phone: 302-653-3000 • Fax: 302-653-2065

www.eaglegrp.com

Foodservice Division: Phone 800-441-8440

MHC/Retail Display Divisions: Phone 800-637-5100

Printed in U.S.A.
 ©2009 by Eagle Group

Rev. 09/09

Spec sheets available for viewing, printing or downloading from our online literature library at www.eaglegrp.com

Although every attempt has been made to ensure the accuracy of the information provided, we cannot be held responsible for typographical or printing errors. Information and specifications are subject to change without notice. Please confirm at time of order.