



Profit from the Eagle Advantage®

Specification Sheet

Short Form Specifications

Eagle Spec-Bar® Liquor Display, model _____. Heavy gauge type 304 stainless steel body, legs, and cross rails. Open-step design with ABS for sound deadening, with each level having a retaining front rail. Stainless steel adjustable bullet feet.



Options / Accessories

- Locking covers

Item No.: _____
 Project No.: _____
 S.I.S. No.: _____

Spec-Bar® Liquor Displays

MODELS:

- | | | | |
|------------------------------------|------------------------------------|----------------------------------|------------------------------------|
| <input type="checkbox"/> LDSR12-19 | <input type="checkbox"/> LDDR12-19 | <input type="checkbox"/> LD12-24 | <input type="checkbox"/> LDSR12-24 |
| <input type="checkbox"/> LDSR18-19 | <input type="checkbox"/> LDDR18-19 | <input type="checkbox"/> LD18-24 | <input type="checkbox"/> LDSR18-24 |
| <input type="checkbox"/> LDSR24-19 | <input type="checkbox"/> LDDR24-19 | <input type="checkbox"/> LD24-24 | <input type="checkbox"/> LDSR24-24 |
| <input type="checkbox"/> LDSR30-19 | <input type="checkbox"/> LDDR30-19 | <input type="checkbox"/> LD30-24 | <input type="checkbox"/> LDSR30-24 |
| <input type="checkbox"/> LDSR36-19 | <input type="checkbox"/> LDDR36-19 | <input type="checkbox"/> LD36-24 | <input type="checkbox"/> LDSR36-24 |

Design and Construction Features

- Body, legs and crossbracing constructed of type 304 stainless steel for strength and corrosion resistance.
- Back and backsplash are 20 gauge stainless steel.
- Legs, leg channels and crossbracing are 16 gauge stainless steel.
- Sides are 14 gauge stainless steel.
- Legs are 1½" (41mm)-diameter, with stainless steel adjustable bullet feet.
- Open step-and-rail design covered with ABS for sound deadening.
- 24" (610mm)-wide models feature four levels of liquor storage, while 29" (770mm)-wide models have five levels.
- Each level has a retaining front rail.
- Designed to align with speed rails installed on adjoining Spec-Bar® equipment.

EAGLE GROUP
 100 Industrial Boulevard, Clayton, DE 19938-8903 USA
 Phone: 302-653-3000 • Fax: 302-653-2065
 www.eaglegrp.com

Foodservice Division: Phone 800-441-8440
MHC/Retail Display Divisions: Phone 800-637-5100

For custom configuration or fabrication needs, contact our **SpecFAB® Division**.
 Phone: 302-653-3000 • Fax: 302-653-3091 • e-mail: specfab@eaglegrp.com



EG40.47 Rev. 04/11

Spec sheets available for viewing, printing or downloading from our online literature library at www.eaglegrp.com

Eagle Foodservice Equipment, Eagle MHC, SpecFAB®, and Retail Display are divisions of Eagle Group. ©2011 by the Eagle Group

KaTom Restaurant Supply, Inc.

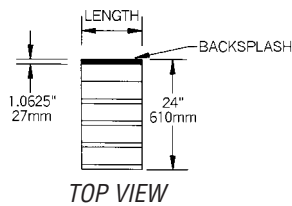
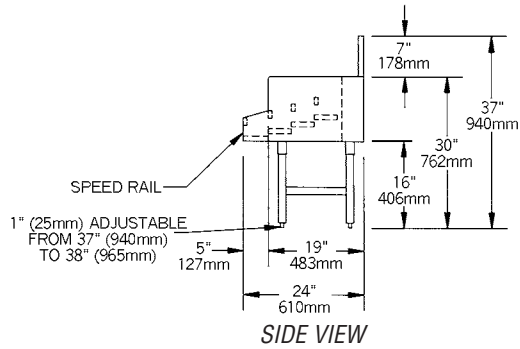


Profit from the Eagle Advantage®

Item No.: _____
 Project No.: _____
 S.I.S. No.: _____

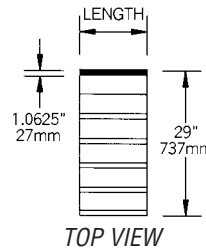
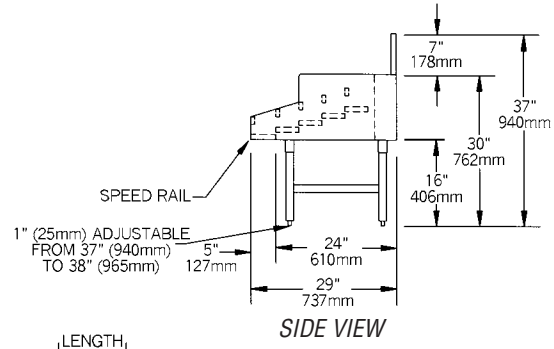
Spec-Bar® Liquor Displays

Single Speed Rail Alignment —24" wide (610mm)



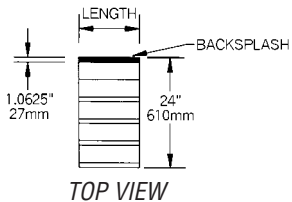
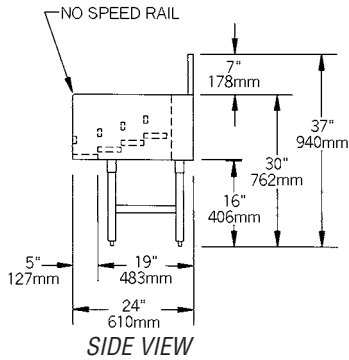
model #	length		weight	
	in.	mm	lbs.	kg
LDSR12-19	12"	305	20	9.1
LDSR18-19	18"	457	25	11.3
LDSR24-19	24"	610	30	13.6
LDSR30-19	30"	762	35	15.9
LDSR36-19	36"	914	40	18.1

Double Speed Rail Alignment —29" wide (737mm)



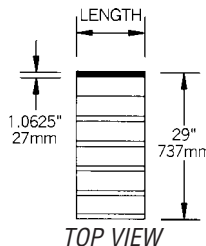
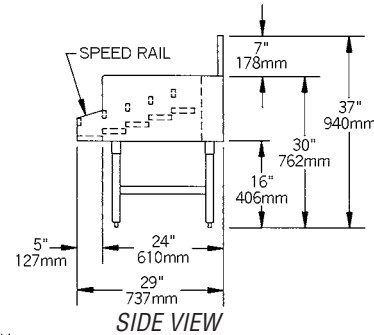
model #	length		weight	
	in.	mm	lbs.	kg
LDDR12-19	12"	305	22	10.0
LDDR18-19	18"	457	30	13.6
LDDR24-19	24"	610	35	15.9
LDDR30-19	30"	762	45	20.4
LDDR36-19	36"	914	55	24.9

No Speed Rail Alignment —24" wide (610mm)



model #	length		weight	
	in.	mm	lbs.	kg
LD12-24	12"	305	20	9.1
LD18-24	18"	457	25	11.3
LD24-24	24"	610	30	13.6
LD30-24	30"	762	35	15.9
LD36-24	36"	914	40	18.1

Single Speed Rail Alignment —29" wide (737mm)



model #	length		weight	
	in.	mm	lbs.	kg
LDSR12-24	12"	305	20	9.1
LDSR18-24	18"	457	25	11.3
LDSR24-24	24"	610	30	13.6
LDSR30-24	30"	762	35	15.9
LDSR36-24	36"	914	40	18.1

EAGLE GROUP
 100 Industrial Boulevard, Clayton, DE 19938-8903 USA
 Phone: 302-653-3000 • Fax: 302-653-2065
 www.eaglegrp.com

Foodservice Division: Phone 800-441-8440
 MHC/Retail Display Divisions: Phone 800-637-5100

Printed in U.S.A.
 ©2011 by Eagle Group
 Rev. 04/11

Spec sheets available for viewing, printing or downloading from our online literature library at www.eaglegrp.com

Although every attempt has been made to ensure the accuracy of the information provided, we cannot be held responsible for typographical or printing errors. Information and specifications are subject to change without notice. Please confirm at time of order.