



Profit from the Eagle Advantage®

Specification Sheet

Short Form Specifications

Eagle 1800 Series Liquor Display Unit, model _____.
Top, front and backsplash to be heavy gauge type 304 stainless steel. Nominal 4 3/8" steps equipped with bottle guards to keep bottles from tipping over. 1 1/2" O.D. galvanized tubular legs with adjustable bullet feet.



liquor display unit



lower-tier liquor display unit

Options / Accessories

- Stainless steel leg kits

EAGLE GROUP
100 Industrial Boulevard, Clayton, DE 19938-8903 USA
Phone: 302-653-3000 • Fax: 302-653-2065
www.eaglegrp.com

Foodservice Division: Phone 800-441-8440
MHC/Retail Display Divisions: Phone 800-637-5100

For custom configuration or fabrication needs, contact our **SpecFAB® Division**.
Phone: 302-653-3000 • Fax: 302-653-3091 • e-mail: specfab@eaglegrp.com

Item No.: _____
Project No.: _____
S.I.S. No.: _____

1800 Series Liquor Display Units

MODELS:

- LD24-18
- LLD24-18

Design and Construction Features

- All stainless steel welded construction.
- Galvanized legs are 1 1/2" (41mm) diameter.
- Non-marking plastic bullet feet.
- Galvanized zinc plated gussets.
- Front to back is 19 1/2" (495mm).
- 4 3/8" (111mm)-wide steps.
- 33 1/2" (851mm) overall height.
- Lower-tier liquor display unit is NSF-approved.



Spec sheets available for viewing, printing or downloading from our online literature library at www.eaglegrp.com

Eagle Foodservice Equipment, Eagle MHC, SpecFAB®, and Retail Display are divisions of Eagle Group. ©2009 by the Eagle Group

KaTom Restaurant Supply, Inc.

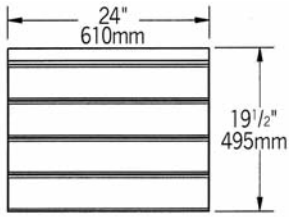


Profit from the Eagle Advantage®

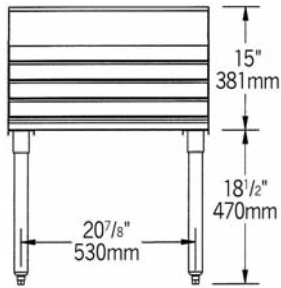
Item No.: _____
 Project No.: _____
 S.I.S. No.: _____

1800 Series Liquor Display Units

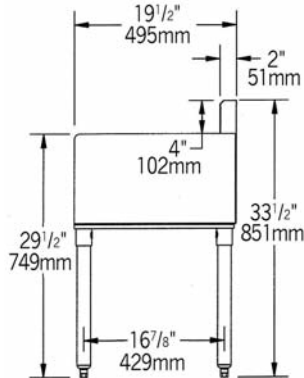
Liquor Display Unit



TOP VIEW



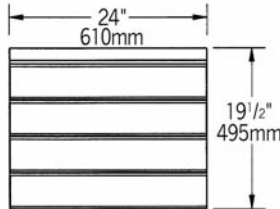
FRONT VIEW



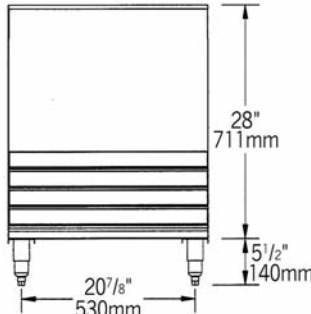
SIDE VIEW

model #	width		length		weight	
	in.	mm	in.	mm	lbs.	kg
LD24-18	19 1/2"	495	24"	610	46	20.9

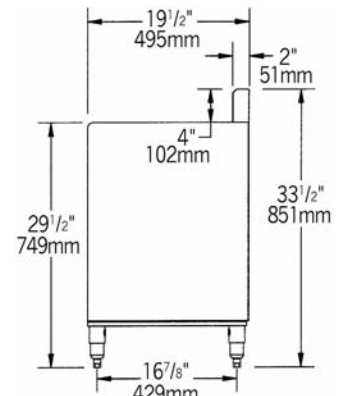
Lower-Tier Liquor Display Unit



TOP VIEW



FRONT VIEW



SIDE VIEW

model #	width		length		weight	
	in.	mm	in.	mm	lbs.	kg
LLD24-18	19 1/2"	495	24"	610	46	20.9

Optional Stainless Steel Leg Kits

add suffix #	description
-SL	stainless steel leg assemblies
-SLF	stainless steel leg assemblies & stainless steel feet
-SLG	stainless steel leg assemblies & stainless steel gussets
-SLGF	stainless steel leg assemblies, stainless steel feet & gussets

EAGLE GROUP
 100 Industrial Boulevard, Clayton, DE 19938-8903 USA
 Phone: 302-653-3000 • Fax: 302-653-2065
 www.eaglegrp.com

Foodservice Division: Phone 800-441-8440
 MHC/Retail Display Divisions: Phone 800-637-5100

Printed in U.S.A.
 ©2009 by Eagle Group
 Rev. 08/09

Spec sheets available for viewing, printing or downloading from our online literature library at www.eaglegrp.com

Although every attempt has been made to ensure the accuracy of the information provided, we cannot be held responsible for typographical or printing errors. Information and specifications are subject to change without notice. Please confirm at time of order.