



Profit from the Eagle Advantage®

Specification Sheet

Short Form Specifications

Eagle Flat Top Hardwood Baker's Table, model _____. Top to be 1 1/4" thick hardwood top, with adjustable (galvanized, stainless steel) undershelf or tubular base, and 1 1/2"-diameter (galvanized, stainless steel) tubular legs with 1" plastic bullet feet.

Eagle Hardwood Baker's Table with Backsplash and End Splashes, model _____. Top to be 1 1/4" thick hardwood top with 4" covered back and end splashes. Adjustable (galvanized, stainless steel) undershelf or tubular base, and 1 1/2"-diameter (galvanized, stainless steel) tubular legs with 1" plastic bullet feet.



table with covered backsplash and end splashes, with tubular base



flat top table with undershelf

Options / Accessories

- Drawer assemblies
- Lock
- Stainless steel bullet feet
- Casters
- Overshelf
- Spice bins

EAGLE GROUP
100 Industrial Boulevard, Clayton, DE 19938-8903 USA
Phone: 302-653-3000 • Fax: 302-653-2065
www.eaglegrp.com

Foodservice Division: Phone 800-441-8440
MHC/Retail Display Divisions: Phone 800-637-5100

For custom configuration or fabrication needs, contact our **SpecFAB® Division**.
Phone: 302-653-3000 • Fax: 302-653-3091 • e-mail: specfab@eaglegrp.com

Item No.: _____
 Project No.: _____
 S.I.S. No.: _____

Hardwood Tables

MODELS:

- | | | |
|-----------------------------------|--------------------------------------|--------------------------------------|
| <input type="checkbox"/> MT2448B | <input type="checkbox"/> MT2496ST | <input type="checkbox"/> MT3072GT |
| <input type="checkbox"/> MT2448GT | <input type="checkbox"/> MT3048B | <input type="checkbox"/> MT3072GT-BS |
| <input type="checkbox"/> MT2448S | <input type="checkbox"/> MT3048GT | <input type="checkbox"/> MT3072S |
| <input type="checkbox"/> MT2448ST | <input type="checkbox"/> MT3048S | <input type="checkbox"/> MT3072S-BS |
| <input type="checkbox"/> MT2460B | <input type="checkbox"/> MT3048ST | <input type="checkbox"/> MT3072ST |
| <input type="checkbox"/> MT2460GT | <input type="checkbox"/> MT3060B | <input type="checkbox"/> MT3072ST-BS |
| <input type="checkbox"/> MT2460S | <input type="checkbox"/> MT3060B-BS | <input type="checkbox"/> MT3096B |
| <input type="checkbox"/> MT2460ST | <input type="checkbox"/> MT3060GT | <input type="checkbox"/> MT3096B-BS |
| <input type="checkbox"/> MT2472B | <input type="checkbox"/> MT3060GT-BS | <input type="checkbox"/> MT3096S |
| <input type="checkbox"/> MT2472GT | <input type="checkbox"/> MT3060S | <input type="checkbox"/> MT3096S-BS |
| <input type="checkbox"/> MT2472S | <input type="checkbox"/> MT3060S-BS | <input type="checkbox"/> MT3096GT |
| <input type="checkbox"/> MT2472ST | <input type="checkbox"/> MT3060ST | <input type="checkbox"/> MT3096GT-BS |
| <input type="checkbox"/> MT2496B | <input type="checkbox"/> MT3060ST-BS | <input type="checkbox"/> MT3096ST |
| <input type="checkbox"/> MT2496GT | <input type="checkbox"/> MT3072B | <input type="checkbox"/> MT3096ST-BS |
| <input type="checkbox"/> MT2496S | <input type="checkbox"/> MT3072B-BS | |

Tabletop

- 1 1/4" (44mm)-thick hardwood tabletop.
- Available with a flat top or with 4" (102mm) covered splashes on back and ends.
- Stainless steel gussets.

Legs

- 1 1/2" (42mm) diameter.
- 16 gauge stainless steel.
- 1" (25mm) adjustable hi-impact plastic feet.

Bases

- Adjustable 1 1/4" (32mm)-diameter tubular base or adjustable undershelf available.
- Both bases available in galvanized or stainless steel.

Certifications / Approvals



Spec sheets available for viewing, printing or downloading from our online literature library at www.eaglegrp.com

Eagle Foodservice Equipment, Eagle MHC, SpecFAB®, and Retail Display are divisions of Eagle Group. ©2009 by the Eagle Group

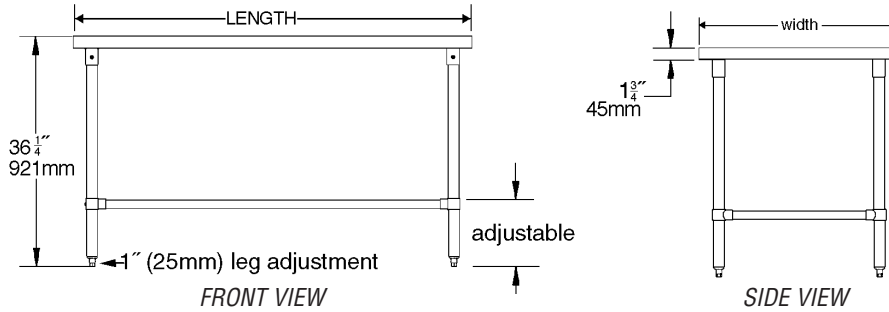
KaTom Restaurant Supply, Inc.



Profit from the Eagle Advantage®

Item No.: _____
 Project No.: _____
 S.I.S. No.: _____

Hardwood Tables with Flat Top...



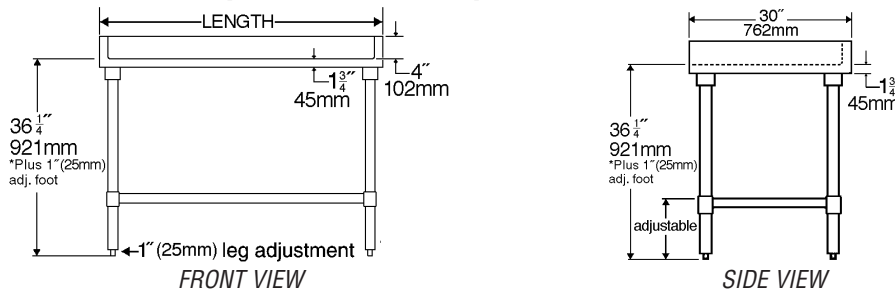
...WITH ADJUSTABLE UNDERSHELF

GALVANIZED model #	STAINLESS model #	weight	
		lbs.	kg
MT2448B	MT2448S	94	42.6
MT2460B	MT2460S	118	53.5
MT2472B	MT2472S	141	64.0
MT2496B	MT2496S	189	85.7
MT3048B	MT3048S	141	64.0
MT3060B	MT3060S	147	66.7
MT3072B	MT3072S	177	80.3
MT3096B	MT3096S	235	106.6

...WITH TUBULAR BASE

GALVANIZED model #	STAINLESS model #	weight		width		length	
		lbs.	kg	in.	mm	in.	mm
MT2448GT	MT2448ST	92	41.7	24"	610	48"	1219
MT2460GT	MT2460ST	117	53.1	24"	610	60"	1524
MT2472GT	MT2472ST	138	62.6	24"	610	72"	1829
MT2496GT	MT2496ST	182	82.6	24"	610	96"	2438
MT3048GT	MT3048ST	139	63.1	30"	914	48"	1219
MT3060GT	MT3060ST	145	65.8	30"	914	60"	1524
MT3072GT	MT3072ST	174	77.8	30"	914	72"	1829
MT3096GT	MT3096ST	230	104.3	30"	914	96"	2438

Hardwood Tables with Backsplash and End Splashes...



...WITH ADJUSTABLE UNDERSHELF

GALVANIZED model #	STAINLESS model #	weight	
		lbs.	kg
MT3060B-BS	MT3060S-BS	149	67.6
MT3072B-BS	MT3072S-BS	180	81.6
MT3096B-BS	MT3096S-BS	240	108.9

...WITH TUBULAR BASE

GALVANIZED model #	STAINLESS model #	weight		width		length	
		lbs.	kg	in.	mm	in.	mm
MT3060GT-BS	MT3060ST-BS	147	66.7	30"	914	60"	1524
MT3072GT-BS	MT3072ST-BS	177	80.3	30"	914	72"	1829
MT3096GT-BS	MT3096ST-BS	235	106.6	30"	914	96"	2438

Optional Casters For Hardwood Worktables

ZINC				POLYMER CART WASHABLE			
W/RESILIENT TREAD	wt. cap.	W/RUBBER TREAD	wt. cap.	W/POLY TREAD	wt. cap.		
model #	lbs. kg	model #	lbs. kg	model #	lbs. kg		
CA4-SB	115 52.2	-	-	-	-	4" (102mm)-dia., set of 4 (2 swivel, 2 w/brake)	
CA6-SB	115 52.2	-	-	-	-	4" (102mm)-dia., set of 6 (3 swivel, 3 w/brake)	
CAH4-SB	200 90.7	CAHP4-SB	250 113.4	CAHW4-SB	250 113.4	5" (127mm)-dia., set of 4 (2 swivel, 2 w/brake)	
CAH6-SB	200 90.7	CAHP6-SB	250 113.4	CAHW6-SB	250 113.4	5" (127mm)-dia., set of 6 (3 swivel, 3 w/brake)	

EAGLE GROUP

100 Industrial Boulevard, Clayton, DE 19938-8903 USA • Phone: 302-653-3000 • Fax: 302-653-2065 • www.eaglegrp.com

Foodservice Division: Phone 800-441-8440

MHC/Retail Display Divisions: Phone 800-637-5100

Printed in U.S.A. ©2009 by Eagle Group Rev. 03/09

Spec sheets available for viewing, printing or downloading from our online literature library at www.eaglegrp.com

Although every attempt has been made to ensure the accuracy of the information provided, we cannot be held responsible for typographical or printing errors. Information and specifications are subject to change without notice. Please confirm at time of order.