



Profit from the Eagle Advantage®

Specification Sheet

Short Form Specifications

Eagle Panco 26 Series Pan Rack, aluminum model _____ . Aluminum construction with frame and cross supports joined with two-piece die-stamped aluminum gusset, riveted to frame and cross supports. 1¼" x 1½" tray slides with raised beads to minimize friction, slides riveted to frame. Slide spacing to be 5", 3", or 2¼" to accommodate 12, 18, 20, or 24 full size sheet pans. Furnished with 5"-diameter swivel casters. Unit shipped knocked down.

Eagle Panco 26 Series Pan Rack, stainless steel model _____ . Stainless steel construction with 1" square tubular frame and cross supports. 1⅞" x 1⅞" stainless steel tray slide with a raised bead edge riveted to stainless steel vertical tube. Slide spacing to be 5", 3", or 2" to accommodate 11, 18, 20, or 30 full size sheet pans. Furnished with 5"-diameter casters. Unit shipped assembled.



26 Series rack

Item No.:	_____
Project No.:	_____
S.I.S. No.:	_____

Panco® 26 Series Racks

MODELS:

- | | |
|-------------------------------------|--|
| <input type="checkbox"/> OUR-2611-5 | <input type="checkbox"/> OUR-2611-5-SR |
| <input type="checkbox"/> OUR-2618-3 | <input type="checkbox"/> OUR-2618-3-SR |
| <input type="checkbox"/> OUR-2620-3 | <input type="checkbox"/> OUR-2620-3-SR |
| <input type="checkbox"/> OUR-2624-2 | <input type="checkbox"/> OUR-2624-2-SR |

Features on Aluminum Models

- Frame and supports are 1" (25mm) square aluminum tubing with .063" wall. Each frame and cross support is joined with extruded aluminum junctions.
- Tray slides are extruded aluminum angle 1¼" high x 1½" wide x 0.1" thick (32 x 41 x 3mm) bearing surface with two raised beads providing a minimum of friction. Slides are welded to vertical posts.
- Casters are 5" (127mm)-diameter NSF-approved, non-marking swivel stem plated casters with polymer tread.
- Side-to-side crossbracing.
- Shipped knocked down—factory assembly available.

Features on Stainless Steel Models

- Frame and cross supports are 1" (25mm) square heavy gauge wall stainless tubing with all-welded construction.
- Tray slides are 18 gauge stainless steel, 1⅞" high x 1⅞" lip (37 x 48mm) with raised bead to minimize friction, riveted to vertical uprights.
- Casters are 5" (127mm)-diameter NSF-approved, non-marking swivel stem plated casters with polymer tread.
- Front-to-back and side-to-side crossbracing.
- Shipped fully welded.

Options / Accessories

- Casters with locking brakes
- Rotary donut bumpers
- Perimeter bumpers*
- Vertical corner bumpers
- Pan stops

*Factory-welded assembly required for all aluminum models specified with perimeter bumpers. See catalog sheet EG60.24 for Panco® accessories.

EAGLE GROUP
100 Industrial Boulevard, Clayton, DE 19938-8903 USA
Phone: 302-653-3000 • Fax: 302-653-2065
www.eaglegrp.com

Foodservice Division: Phone 800-441-8440
MHC/Retail Display Divisions: Phone 800-637-5100

For custom configuration or fabrication needs, contact our **SpecFAB® Division**.
Phone: 302-653-3000 • Fax: 302-653-3091 • e-mail: specfab@eaglegrp.com

Certifications / Approvals



EG60.01 Rev. 07/08

Spec sheets available for viewing, printing or downloading from our online literature library at www.eaglegrp.com

Eagle Foodservice Equipment, Eagle MHC, SpecFAB®, and Retail Display are divisions of Eagle Group. ©2008 by the Eagle Group

KaTom Restaurant Supply, Inc.

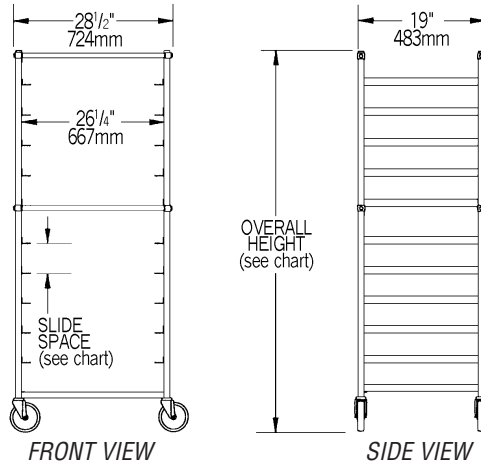


Profit from the Eagle Advantage®

Item No.: _____
 Project No.: _____
 S.I.S. No.: _____

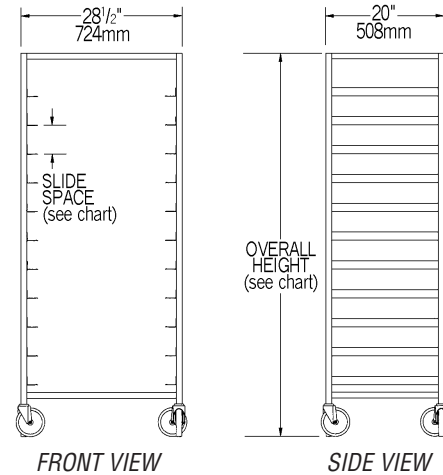
Panco® 26 Series Racks

Aluminum Racks



model #	overall dimensions						sliding space		pan capacity	weight	
	width		depth		height		in.	mm		lbs.	kg
OUR-2611-5	28 1/2"	724	19"	483	69"	1753	5"	127	12	37	16.8
OUR-2618-3	28 1/2"	724	20"	508	66 3/4"	1686	3"	76	18	43	19.5
OUR-2620-3	28 1/2"	724	20"	508	72"	1829	3"	76	20	53	24.0
OUR-2624-2	28 1/2"	724	20"	508	66 3/4"	1686	2 1/4"	57	24	56	25.4

Stainless Steel Racks



model #	overall dimensions						sliding space		pan capacity	weight	
	width		depth		height		in.	mm		lbs.	kg
OUR-2611-5-SR	28 1/2"	724	20"	508	66 3/4"	1686	5"	127	11	112	50.8
OUR-2618-3-SR	28 1/2"	724	20"	508	66 3/4"	1686	3"	76	18	129	58.5
OUR-2620-3-SR	28 1/2"	724	20"	508	72 1/2"	1842	3"	76	20	158	71.6
OUR-2624-2-SR	28 1/2"	724	20"	508	66 3/4"	1686	2 1/4"	57	24	161	73.0

EAGLE GROUP
 100 Industrial Boulevard, Clayton, DE 19938-8903 USA
 Phone: 302-653-3000 • Fax: 302-653-2065
 www.eaglegrp.com

Foodservice Division: Phone 800-441-8440
 MHC/Retail Division: Phone 800-637-5100

Printed in U.S.A.
 ©2008 by Eagle Group
 Rev. 07/08

Spec sheets available for viewing, printing or downloading from our online literature library at www.eaglegrp.com

Although every attempt has been made to ensure the accuracy of the information provided, we cannot be held responsible for typographical or printing errors. Information and specifications are subject to change without notice. Please confirm at time of order.