



Profit from the Eagle Advantage®

Specification Sheet

Short Form Specifications

Eagle (Wall Mount / Pedestal Mount) Lavatory Sink, model _____ . All units constructed with type 304 stainless steel, and feature a marine edge. Standard equipment includes gooseneck spout faucet, soap dispenser and basket drain.



#W1916-FA



#W1916



#P1916



#P1916FE

Options / Accessories

- Tail piece
- P-trap
- Temperature adjustment valve (for model #P1916FE)

EAGLE GROUP

100 Industrial Boulevard, Clayton, DE 19938-8903 USA
Phone: 302-653-3000 • Fax: 302-653-2065
www.eaglegrp.com

Foodservice Division: Phone 800-441-8440

MHC/Retail Display Divisions: Phone 800-637-5100

For custom configuration or fabrication needs, contact our **SpecFAB®** Division.

Phone: 302-653-3000 • Fax: 302-653-3091 • e-mail: specfab@eaglegrp.com

Item No.: _____
Project No.: _____
S.I.S. No.: _____

Lavatory Sinks

MODELS:

- W1916
- W1916-FA
- P1916
- P1916FE

Design and Construction Features—All Models:

- Stainless steel all-welded construction.
- Heavy gauge type 304 stainless steel sink bowl is 15¼" x 19¼" x 8⅞" (400 x 502 x 226mm).
- Overall size: 23" width x 24⅝" length (584 x 618mm).
- Splash mount gooseneck spout.
- Marine edge to retard spillage.
- Basket-type waste drain fits sink bowl's 3½" (89mm) opening and features 1½" (38mm) outlet.
- 4¾" (121mm)-diameter sump.
- Splash-mount soap dispenser.

Model #W1916-FA

- Wall mount.
- Gooseneck spout faucet on 4" (76mm) center.

Model #W1916

- Wall mount.
- Gooseneck spout faucet operated by knee valve.

Model #P1916

- Pedestal model.
- Gooseneck spout faucet operated by foot valve.

Model #P1916FE

- Pedestal model.
- Gooseneck spout faucet operated by electronic-eye sensor.

Certifications / Approvals



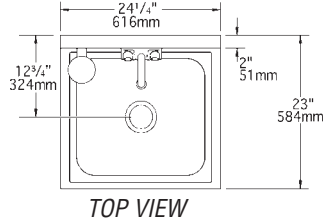
Spec sheets available for viewing, printing or downloading from our online literature library at www.eaglegrp.com



Profit from the Eagle Advantage®

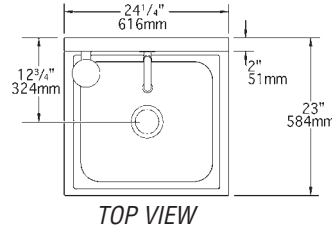
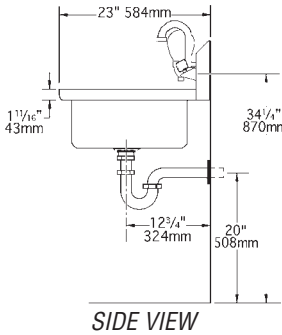
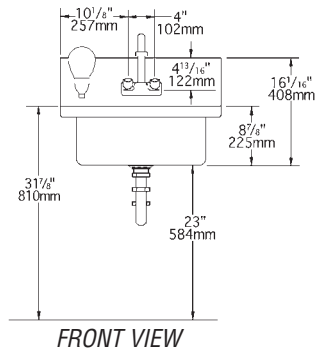
Item No.: _____
 Project No.: _____
 S.I.S. No.: _____

Lavatory Sinks



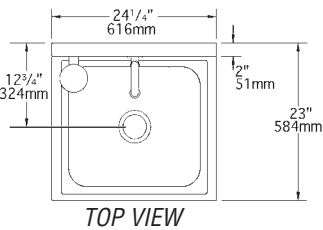
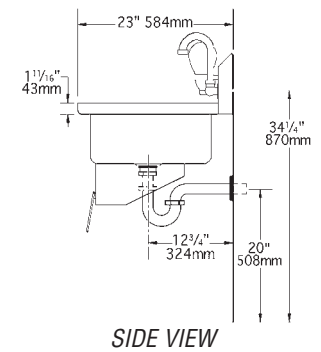
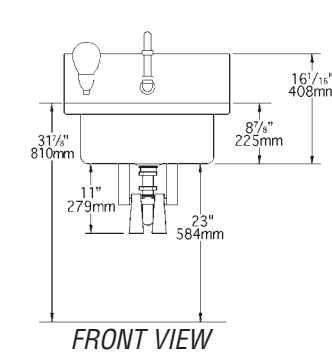
Model #W1916-FA

- Wall mount.
- Gooseneck spout faucet on 4" (76mm) center.
- 35 lbs. (15.9 kg) shipping weight.



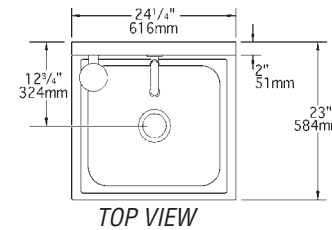
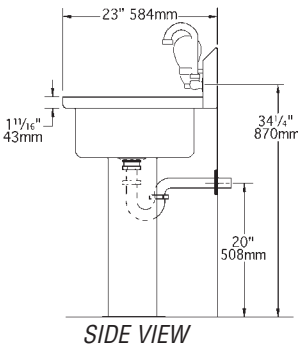
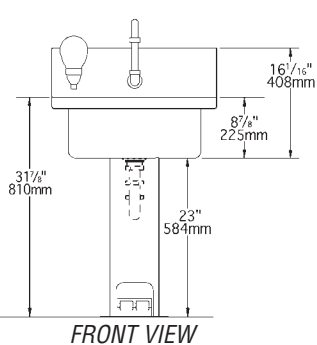
Model #W1916

- Wall mount.
- Gooseneck spout faucet.
- Knee-valve.
- 43 lbs. (19.5 kg) shipping weight.



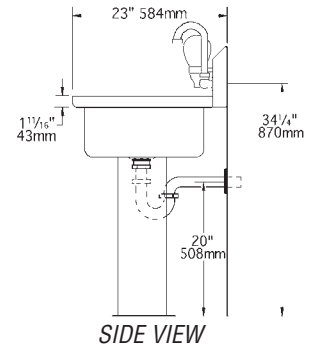
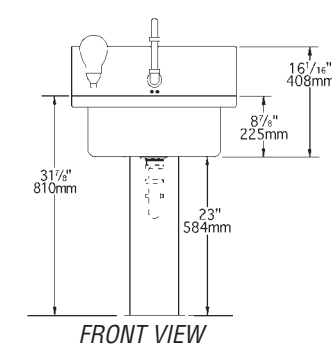
Model #P1916

- Pedestal model.
- Gooseneck spout faucet.
- Foot-valve.
- 48 lbs. (21.8 kg) shipping weight.



Model #P1916FE

- Pedestal model.
- Gooseneck spout faucet.
- Electronic-eye sensor.
- 48 lbs. (21.8 kg) shipping weight.



Please note: Tailpiece and P-trap, shown in illustrations above, are sold separately.
 All plumbing components are to be cut to length by plumber.

EAGLE GROUP
 100 Industrial Boulevard, Clayton, DE 19938-8903 USA
 Phone: 302-653-3000 • Fax: 302-653-2065
 www.eaglegrp.com

Foodservice Division: Phone 800-441-8440
 MHC/Retail Display Divisions: Phone 800-637-5100

Printed in U.S.A.
 ©2009 by Eagle Group
 Rev. 05/09

Spec sheets available for viewing, printing or downloading from our online literature library at www.eaglegrp.com

Although every attempt has been made to ensure the accuracy of the information provided, we cannot be held responsible for typographical or printing errors. Information and specifications are subject to change without notice. Please confirm at time of order.